



Swansea University
Prifysgol Abertawe



Cronfa - Swansea University Open Access Repository

This is an author produced version of a paper published in:
Journal of Sound and Vibration

Cronfa URL for this paper:
<http://cronfa.swan.ac.uk/Record/cronfa48127>

Paper:

Batou, A. & Adhikari, S. (2019). Optimal parameters of viscoelastic tuned-mass dampers. *Journal of Sound and Vibration*
<http://dx.doi.org/10.1016/j.jsv.2019.01.010>

This item is brought to you by Swansea University. Any person downloading material is agreeing to abide by the terms of the repository licence. Copies of full text items may be used or reproduced in any format or medium, without prior permission for personal research or study, educational or non-commercial purposes only. The copyright for any work remains with the original author unless otherwise specified. The full-text must not be sold in any format or medium without the formal permission of the copyright holder.

Permission for multiple reproductions should be obtained from the original author.

Authors are personally responsible for adhering to copyright and publisher restrictions when uploading content to the repository.

<http://www.swansea.ac.uk/library/researchsupport/ris-support/>

Accepted Manuscript

Optimal parameters of viscoelastic tuned-mass dampers

A. Batou, S. Adhikari

PII: S0022-460X(19)30016-1

DOI: <https://doi.org/10.1016/j.jsv.2019.01.010>

Reference: YJSVI 14584

To appear in: *Journal of Sound and Vibration*

Received Date: 26 August 2018

Revised Date: 1 January 2019

Accepted Date: 6 January 2019

Please cite this article as: A. Batou, S. Adhikari, Optimal parameters of viscoelastic tuned-mass dampers, *Journal of Sound and Vibration* (2019), doi: <https://doi.org/10.1016/j.jsv.2019.01.010>.

This is a PDF file of an unedited manuscript that has been accepted for publication. As a service to our customers we are providing this early version of the manuscript. The manuscript will undergo copyediting, typesetting, and review of the resulting proof before it is published in its final form. Please note that during the production process errors may be discovered which could affect the content, and all legal disclaimers that apply to the journal pertain.



Optimal parameters of viscoelastic tuned-mass dampers

A. Batou^a, S. Adhikari^b

^a *School of Engineering, The University of Liverpool, Liverpool, United Kingdom*

^b *College of Engineering, Swansea University, Bay Campus, Swansea SA1 8EN, UK*

Abstract

A vibration absorber, also known as a tuned mass damper (TMD), is a passive vibration control device. This is achieved by attaching a secondary oscillator to a primary oscillator. In general, the aim is to reduce the vibration of the primary oscillator by suitably choosing the parameters of the secondary oscillator. The effectiveness of a TMD depends on (a) optimised the value of the tuned parameters, and (b) the nature of ambient damping of the absorber. The theory of TMD when the secondary and the primary oscillators are undamped or viscously damped is well developed. This paper presents an analytical approach to obtain optimal parameters of a TMD when the vibration absorber is viscoelastically damped. Classical results on viscously damped vibration absorbers can be obtained as a special case of the general results reduced in the paper. It is shown that by using a viscoelastically damped TMD, it is possible to obtain superior vibration absorption compared to an equivalent viscously damped TMD.

Keywords: tuned mass damper; vibration absorber; fixed-point method; viscoelastic; optimisation

1. Introduction

Tuned mass damper (TMD) is a classical device concept for passive vibration control. Early works can be seen in [1]. A comprehensive details regarding the physics and design of tuned mass dampers, also know as vibration absorbers, can be found in the 1956 book of Den Hartog [2]. Since the original theoretical concepts, there have been many practical

*Corresponding author. Tel: +44 151 794 9909

Email addresses: anas.batou@liverpool.ac.uk (A. Batou), S.Adhikari@swansea.ac.uk (S. Adhikari)

high profile implementation of tuned mass dampers in high-rise buildings and towers. We refer to the book by Soong and Dargush [3] for comprehensive details.

The central idea behind the tuned mass dampers is to attach a carefully chosen secondary oscillator to a primary oscillator such that a part of the vibratory energy of the primary oscillator is transferred for certain forcing to the secondary oscillator which will dissipate this energy. It is generally considered that the primary oscillator is ‘given’ so that its parameters, that is, the mass, stiffness and damping (if present) are fixed. The mathematical problem of tuning the mass damper, therefore, comes down to selecting the parameters of the secondary oscillator. For practical reasons, the mass of the secondary oscillator is often fixed a priori. We suppose $\mu \leq 1$ is the ratio of the mass between the primary and the secondary oscillator. When the primary oscillator is undamped, it was proved [2] that the optimal tuning ratio (the ratio of the natural frequency between the secondary oscillator the primary oscillator) is given by $\sqrt{1/(1 + \mu)}$. This remarkable simple result was derived based on a curious observation by Den Hartog [2] which came to be known as the ‘fixed-point theory’. This pertains to the fact that there are two fixed frequencies at which the frequency response of the primary oscillator is independent of the damping of the secondary system. This observation results into certain simplifications in the subsequent mathematical derivations, which in turn gives rise to the simple closed-form expression of the optimal tuning parameter. For complex primary structures, the optimal parameters and position of the TMD can be determined by introducing and solving appropriate non-convex optimisation problems (see for instance [4, 5]).

When damping is introduced in the primary structure, the existence of the fixed points, as they were known, is lost. Consequently, the derivation of the optimal tuning parameter becomes less straightforward compared the classical undamped case. The path of investigation for the damped case mainly follow two routes - (a) rigorous mathematical optimisation based exact numerical methods, and (b) approximate but simple analytical methods. Some examples of the first category include a numerical optimization scheme proposed by Randall et al. [6, 7], an optimal design of vibration absorbers using nonlinear programming techniques by [8], and an optimum design using a frequency locus method by Thompson [9]. Pennestri [10] obtained optimal solutions using the min-max Chebyshev’s

criterion. Numerical studies based on minimax optimization are reported in [11, 12]. Works within the second category include empirical formulae for optimum stiffness and damping of a vibration absorber based on the minimization of the acceleration response by Ioi and Ikeda [13] and a perturbation technique by Fujino and Abe [14]. A particularly noteworthy observation, made by Ghosh and Basu [15], was that even when the primary structure is damped, the so-called fixed points remain within a reasonably close proximity to the original fixed points corresponding to the undamped primary structure. This led to the derivation of approximate closed-form expressions of the optimal tuning parameter for the damped case. Later approximate fixed point theory was employed to obtain optimal parameters of a piezoelectric energy harvesting dynamic vibration absorber [16]. It was shown that as a special case when the piezoelectric coupling goes to zero, the optimal tuning parameter reduces to the one derived by Den Hartog [2].

Viscous damping model is one of the many possible physically damping models that can be used for dynamic systems [17, 18]. The aim of this paper is to explore the use of more general viscoelastic damping in the context of tuned mass damper. The motivation behind this investigation is that by using a more generalised damper, it may be possible to achieve a passive vibration control which is beyond the limit of a purely viscous damper.

The paper is organised as follows. A brief overview of general viscoelastic damping models are given in Section 2. The equation of motion of the viscoelastically damped vibration absorber is given in Section 3. In Section 4 we derive the optimal parameters of the vibration absorber.

2. Brief overview of viscoelastic models

In classical elasticity, instantaneous stress within a material is a function of instantaneous strain only. In contrast, in viscoelasticity, instantaneous stress is considered to be a function of strain history. When a linear viscoelastic model is employed, the stress at some point of a structure can be expressed as a convolution integral over a kernel function [19] as

$$\sigma(t) = \int_{-\infty}^t g(t - \tau) \frac{d\epsilon(\tau)}{d\tau} \tau \quad (1)$$

Here $t \in \mathbb{R}^+$ is the time, $\sigma(t)$ is stress and $\epsilon(t)$ is strain. The kernel function $g(t)$ also known as ‘hereditary function’, ‘relaxation function’ or ‘after-effect function’ in the context of different subjects. The stress-strain relationship in (1) can be directly applied to dynamic analysis of a solid body. For example, it is applied to a uniform rod, Equation (1) can be multiplied by the area and the equation can in turn be expressed in terms of the force and displacement rate (or velocity). In practice, the kernel function is often defined in the frequency domain (or Laplace domain). Taking the Laplace transform of Equation (1), we have

$$\bar{\sigma}(s) = s\bar{G}(s)\bar{\epsilon}(s) \quad (2)$$

Here $\bar{\sigma}(s)$, $\bar{\epsilon}(s)$ and $\bar{G}(s)$ are Laplace transforms of $\sigma(t)$, $\epsilon(t)$ and $g(t)$ respectively and $s \in \mathbb{C}$ is the (complex) Laplace domain parameter. There are two broad ways by which the kernel function $g(t)$ can be constructed, namely by a physics based approach or a more general mathematical approach.

2.1. Physics based representation of the kernel function

In a physics based approach, the kernel function appearing in the viscoelastic constitutive relationship can arise from a combination of springs and dashpots. This can be achieved in various ways. Four main cases are shown in Figure 1.

We define the unit step function $\mathcal{U}(t)$ and Dirac delta function $\delta(t)$ as below

$$\mathcal{U}(t) = \begin{cases} 1 & \text{if } t \geq 0, \\ 0 & \text{if } t < 0. \end{cases} \quad \text{and} \quad \delta(t) = \begin{cases} 0 & \text{if } t \neq 0, \\ \int_{-\infty}^{\infty} \delta(t) dt = 1 & \end{cases} \quad (3)$$

Using these functions, the viscoelastic kernel function can be expressed [19–22] for the four models as

- *Maxwell model:*

$$g(t) = ke^{-(k/\eta)t} \mathcal{U}(t) \quad (4)$$

- *Voigt model:*

$$g(t) = \eta\delta(t) + k\mathcal{U}(t) \quad (5)$$

- *Standard linear model:*

$$g(t) = [k_a + k_b e^{-(k_b/\eta)t}] \mathcal{U}(t) \quad (6)$$

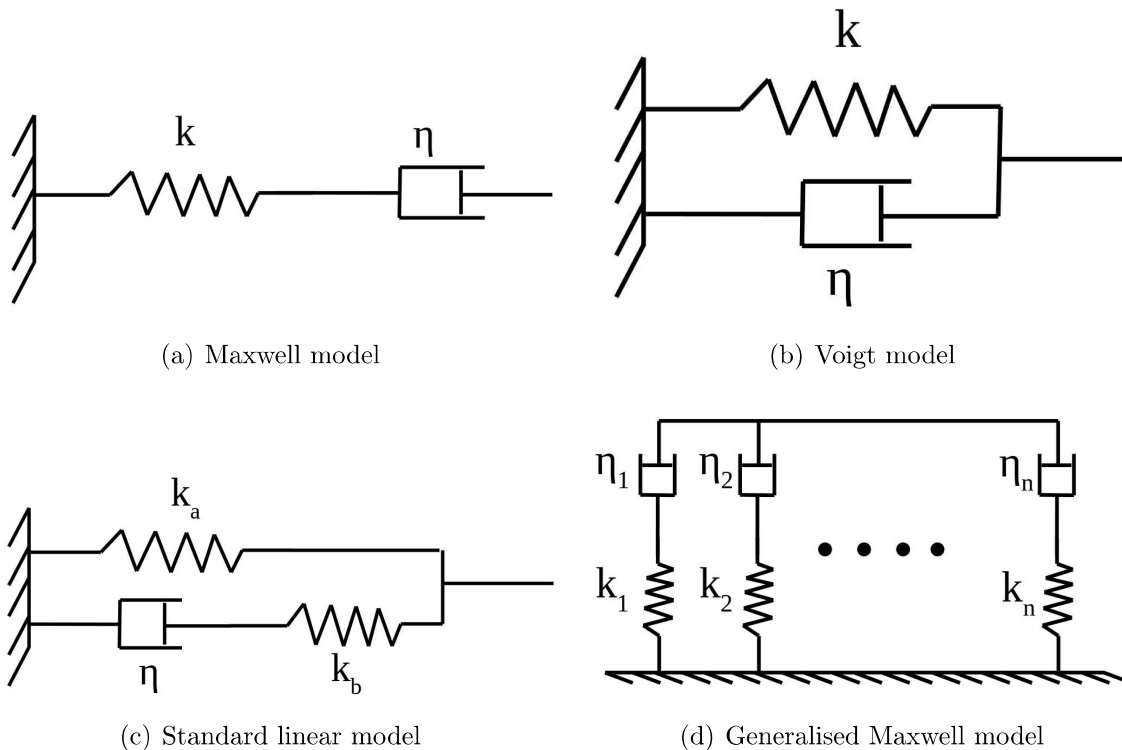


Figure 1: Springs and dashpots based models viscoelastic materials.

- *Generalised Maxwell model:*

$$g(t) = \left[\sum_{j=1}^n k_j e^{-(k_j/\eta_j)t} \right] \mathcal{U}(t) \quad (7)$$

Models similar to this is also known as the Pony series model.

These functions can be constructed by considering the equilibrium of forces arising by stretching the springs and dashpots appearing in Figure 1.

2.2. Mathematical representation of the kernel function

The kernel function in Equation (2) is a complex function in the frequency domain. For notational convenience we denote

$$\bar{G}(s) = \bar{G}(i\omega) = G(\omega) \quad (8)$$

where $\omega \in \mathbb{R}^+$ is the frequency. The complex modulus $G(\omega)$ can be expressed in terms of its real and imaginary parts or in terms of its amplitude and phase as follows

$$G(\omega) = G'(\omega) + iG''(\omega) = |G(\omega)|e^{i\phi(\omega)} \quad (9)$$

The real and imaginary parts of the complex modulus, that is, $G'(\omega)$ and $G''(\omega)$ are also known as the storage and loss moduli respectively. One of the main restriction on the form of the kernel function comes from the fact that the response of the structure must to start before the application of the forces. This causality condition imposes a mathematical relationship between real and imaginary parts of the complex modulus, known as Kramers-Kronig relations (see for example [23] for recent discussions). Kramers-Kronig relations specifies that the real and imaginary parts should be related by a Hilbert transform pair, but can be general otherwise. Mathematically this can be expressed as

$$\begin{aligned} G'(\omega) &= G_\infty + \frac{2}{\pi} \int_0^\infty \frac{uG''(u)}{\omega^2 - u^2} du \\ G''(\omega) &= \frac{2\omega}{\pi} \int_0^\infty \frac{G'(u)}{u^2 - \omega^2} du \end{aligned} \tag{10}$$

where the unrelaxed modulus $G_\infty = G(\omega \rightarrow \infty) \in \mathbb{R}$. Equivalent relationships linking the modulus and the phase of $G(\omega)$ can expressed as

$$\begin{aligned} \ln |G'(\omega)| &= \ln |G_\infty| + \frac{2}{\pi} \int_0^\infty \frac{u\phi(u)}{\omega^2 - u^2} du \\ \phi(\omega) &= \frac{2\omega}{\pi} \int_0^\infty \frac{\ln |G(u)|}{u^2 - \omega^2} du \end{aligned} \tag{11}$$

It should be noted that complex modulus derived using the physics based principled discussed above automatically satisfy these conditions. However, there can be many other function which would also satisfy these conditions. It is possible to determine $G(\omega)$ from experimental measurements (see [23–26]) which satisfy these conditions. In Table 1 we show some functions which have been used in literature. Among various possible viscoelastic models, the Standard linear model (which is equivalent to a Biot model with $n = 1$) is considered here. Other viscoelastic models could considered for the TMD (see for instance [26]). Nevertheless, the use of a Standard linear model enables a closed-form solution to be calculated (and thus avoids the solving of a non-convex inverse problem), which is one of the objectives of this paper.

3. Equation of motion of the coupled system

The viscoelastic tuned mass damper considered here is shown in Figure 2. The primary structure is assumed to be an undamped single degree of freedom system. The secondary oscillator or the vibration absorber is considered to be coupled with the primary oscillator

Viscoelastic model	Complex modules	Main references
Biot model	$G(\omega) = G_0 + \sum_{k=1}^n \frac{a_k i\omega}{i\omega + b_k}$	Biot [27, 28]
Fractional derivative	$G(\omega) = \frac{G_0 + G_\infty (i\omega\tau)^\beta}{1 + (i\omega\tau)^\beta}$	Bagley and Torvik [29]
GHM	$G(\omega) = G_0 \left[1 + \sum_k \alpha_k \frac{-\omega^2 + 2i\xi_k \omega_k \omega}{-\omega^2 + 2i\xi_k \omega_k \omega + \omega_k^2} \right]$	Golla and Hughes [30] and McTavish and Hughes [31]
ADF	$G(\omega) = G_0 \left[1 + \sum_{k=1}^n \Delta_k \frac{\omega^2 + i\omega\Omega_k}{\omega^2 + \Omega_k^2} \right]$	Lesieutre and Mingori [32]
Step-function	$G(\omega) = G_0 \left[1 + \eta \frac{1 - e^{-st_0}}{st_0} \right]$	Adhikari [33]
Half cosine model	$G(\omega) = G_0 \left[1 + \eta \frac{1 + 2(st_0/\pi)^2 - e^{-st_0}}{1 + 2(st_0/\pi)^2} \right]$	Adhikari [33]
Gaussian model	$G(\omega) = G_0 \left[1 + \eta e^{\omega^2/4\mu} \left\{ 1 - \operatorname{erf} \left(\frac{i\omega}{2\sqrt{\mu}} \right) \right\} \right]$	Adhikari and Woodhouse [34]

Table 1: Complex modulus for viscoelastic models in the frequency domain

through a Standard linear model type as discussed in the previous section. Damping is the primary structure is ignored here as this would help to reduce the vibration and therefore could mask any added benefit arising due to the viscoelastic absorber which we want to investigate. Also, this assumption is necessary to derive a methodology for optimizing the viscoelastic TMD since it is a condition for fixed-points to exist.

The mass and stiffness of the primary oscillator are represented as m_1 and k_1 respectively. The vibration absorber has a mass and viscoelastic damping function as m_2 ,

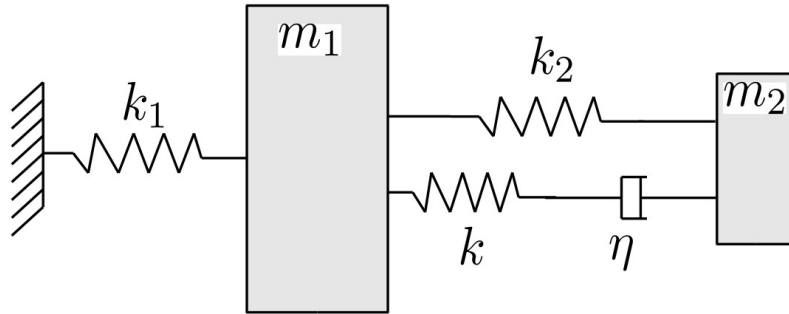


Figure 2: A schematic representation of the viscoelastic tuned mass damper.

$k_2 + ke^{-(k/\eta)t}\mathcal{U}(t)$. The dynamics of the primary mass (m_1) and the absorber mass (m_2) can be expressed by two coupled ordinary differential equations as

$$m_1\ddot{X}_1(t) + k_1X_1(t) + k_2(X_1(t) - X_2(t)) + \int_0^\infty ke^{-(k/\eta)(t-\tau)}(\dot{X}_1(\tau) - \dot{X}_2(\tau))d\tau = F(t), \quad (12)$$

$$m_2\ddot{X}_2 + k_2(X_2(t) - X_1(t)) + \int_0^\infty ke^{-(k/\eta)(t-\tau)}(\dot{X}_2(\tau) - \dot{X}_1(\tau))d\tau = 0. \quad (13)$$

where $X_1(t)$ and $X_2(t)$ are the displacement of the primary mass m_1 and absorber mass m_2 respectively. The primary structure is assumed to be driven by an excitation force $F(t)$. Transforming Equations (12) and (13) in the frequency domain we have

$$\begin{aligned} (-\omega^2m_1 + k_1 + k_2 + i\omega\frac{\eta k}{k + i\omega\eta})x_1(\omega) - (k_2 + i\omega\frac{\eta k}{k + i\omega\eta})x_2(\omega) &= f(\omega), \\ (-\omega^2m_2 + k_2 + i\omega\frac{\eta k}{k + i\omega\eta})(x_2(\omega) - x_1(\omega)) &= 0. \end{aligned} \quad (14)$$

Here $x_1(\omega)$, $x_2(\omega)$ and $f(\omega)$ are Fourier transforms of $X_1(t)$, $X_2(t)$ and $F(t)$ respectively.

We introduce the following notations for convenience

$$\begin{aligned} \mu &= \frac{m_2}{m_1}, \quad \omega_1 = \sqrt{\frac{k_1}{m_1}}, \quad \Omega(\omega) = \frac{\omega}{\omega_1}, \\ \tilde{k}(\omega) &= k_2 + \frac{\omega^2\eta^2k}{k^2 + \omega^2\eta^2}, \quad \tilde{c}(\omega) = \frac{\eta k^2}{k^2 + \omega^2\eta^2}, \\ \omega_2(\omega) &= \sqrt{\frac{\tilde{k}(\omega)}{m_2}}, \quad \xi(\omega) = \frac{\tilde{c}(\omega)}{2m_2\omega_1}, \quad q(\omega) = \frac{\omega_2^2(\omega)}{\omega_1^2}. \end{aligned} \quad (15)$$

Using these notations it can be shown that the modulus of $x_1(\omega)$ solution of Eq. (14) reads

$$|x_1(\omega)| = \beta(\omega)|f(\omega)|, \quad (16)$$

where

$$\beta(\omega) = \sqrt{\frac{(2\xi(\omega)\Omega(\omega))^2 + (\Omega(\omega)^2 - q(\omega))^2}{(2\xi(\omega)\Omega(\omega))^2(\Omega(\omega)^2 - 1 + \mu\Omega(\omega)^2)^2 + (\mu q(\omega)\Omega(\omega)^2 - (\Omega(\omega)^2 - 1)(\Omega(\omega)^2 - q(\omega)))^2}}, \quad (17)$$

is the amplification factor for which, contrary to the classical TMD case, ξ and q depend on the frequency ω .

4. Derivation of the tuning parameters

4.1. description of the general methodology

For the case $m_1 = 1$ kg, $m_2 = 0.1$ kg, $k_1 = 1$ N/m, $k_2 = 0.0645$ N/m, $k = 0.0678$ N/m, the function $\beta(\omega)$ is plotted in Figure 3 for different values of the damping coefficient η . It can be seen in this figure that:

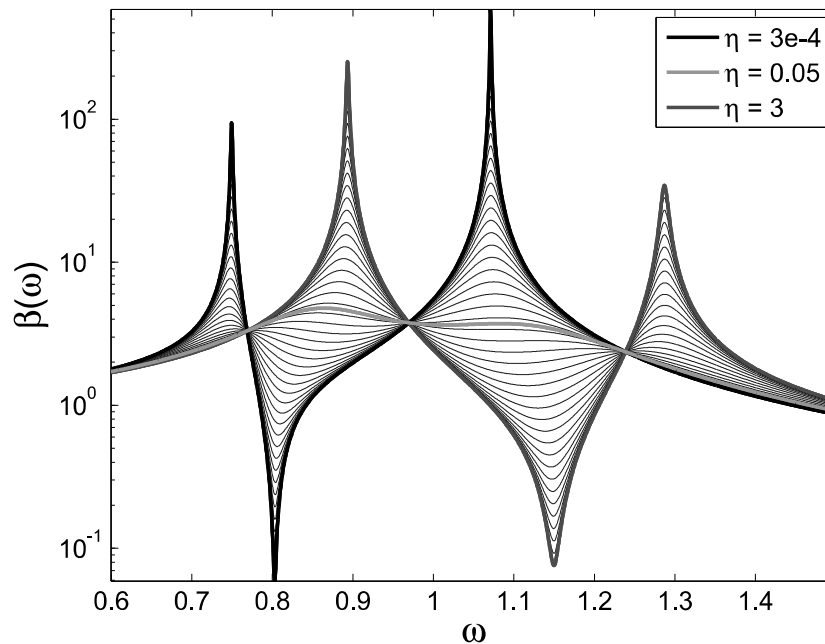


Figure 3: The amplification factor $\beta(\omega)$ for different values of η .

1. For very small values of η , as for classical TMDs, the viscoelastic TMD presents two large resonance peaks. Indeed in this case, the link between m_1 and m_2 is equivalent to the unique spring k_2 without damping.
2. For very large values of η , the damper locks and then the link between m_1 and m_2 is equivalent to only two parallel springs k_2 and k without damping. Therefore contrary to the case of a classical TMDs, no complete lock for mass m_2 appears when increasing the damping η .
3. There are three points for which the response amplitude does not depends on the damping η . For classical TMDs, such fixed-points have also been observed but there were only two of them. The classical methods for deriving the optimal parameters of a classical TMDs are based on these fixed-points. For viscoelastic TMDs, we now

have three fixed-points. We therefore need to revisit the methodology for finding the optimal parameters.

Based on Figure 3, we propose to derive the optimal parameters in three steps:

- **Step 1:** Calculate the positions of the three fixed-points.
- **Step 2:** Determine the optimal values for k_2 and k such that the values at the fixed-points (which are independent of the damping) have prescribed relative positions.
- **Step 3:** Determine the damping η that gives a symmetric response with respect to the central fixed point.

4.2. Positions of the three fixed-points

To calculate the position of the three fixed-points, we introduce a methodology similar to the one used for classical TMDs: we search the frequencies for which the amplification factor β has the same values for $\eta = 0$ and $\eta = +\infty$. Indeed for these two values, the expression of β in (17) has a simple expression. It can be shown that $\tilde{k}(\omega; \eta = 0) = k_2$, $\tilde{k}(\omega; \eta = +\infty) = k_2 + k$, $\tilde{c}(\omega; \eta = 0) = \tilde{c}(\omega; \eta = +\infty) = 0$, and then $q_0(\omega) = q(\omega; \eta = 0) = k_2/(\mu k_1)$, $q_\infty(\omega) = q(\omega; \eta = +\infty) = (k_2 + k)/(\mu k_1)$, $\xi(\omega; \eta = 0) = \xi(\omega; \eta = +\infty) = 0$. Finally equating the amplification factor β for $\eta = 0$ and $\eta = +\infty$ yields the equation

$$\frac{\Omega^2 - q_0}{\mu q_0 \Omega^2 - (\Omega^2 - 1)(\Omega^2 - q_0)} = -\frac{\Omega^2 - q_\infty}{\mu q_\infty \Omega^2 - (\Omega^2 - 1)(\Omega^2 - q_\infty)}. \quad (18)$$

The minus sign in the above equation is arising from the sign change when taking the absolute value. This equation can be rearranged to obtain the following equation

$$\Omega^6 - \frac{1}{2}((q_0 + q_\infty)(2 + \mu) + 2)\Omega^4 + ((q_0 + q_\infty + q_0 q_\infty(\mu + 1))\Omega^2 - q_0 q_\infty) = 0. \quad (19)$$

This equation is cubic in Ω^2 . Therefore, eliminating negative values, we can derive the three closed-form solutions $\Omega_l(q_0, q_\infty)$, $\Omega_c(q_0, q_\infty)$, and $\Omega_r(q_0, q_\infty)$ which correspond to left, central and right fixed-points respectively (See Appendix A for the closed-form solutions). For parameters corresponding to Figure 3, it is found $\Omega_l = 0.77$, $\Omega_c = 0.97$, and $\Omega_r = 1.24$ (for this particular case $\omega_1 = 1$ rad/s and then $\Omega = \omega$).

4.3. Calculation of the stiffnesses k_2 and k

In order to obtain a good mitigation of the around the resonance frequency of the primary mass m_1 , we propose to calculate k_2 and k as the values that (1) provides equal

values for the end fixed-point Ω_l and Ω_r and (2) allows to control the amplitude of the central fixed-point Ω_c with respect to the amplitudes at Ω_l and Ω_r . The advantage of this methodology is that the obtained values are independent of the damping coefficient that can then be fixed later. Let be $\omega_l = \omega_1 \Omega_l$, $\omega_c = \omega_1 \Omega_c$ and $\omega_r = \omega_1 \Omega_r$. We then introduce the two following equations

$$\beta(\omega_l; \eta = 0) = \alpha\beta(\omega_c; \eta = 0), \quad (20)$$

$$\beta(\omega_r; \eta = +\infty) = \alpha\beta(\omega_c; \eta = +\infty),$$

in which α is a proportion parameter. For $\alpha = 1$, the amplitude is the same for the three fixed-points. We then obtain the two equations

$$\begin{aligned} q_0^2 + \gamma_1(\Omega_l, \Omega_c; \alpha)q_0 + \gamma_2(\Omega_l, \Omega_c, \alpha), \\ q_\infty^2 + \gamma_1(\Omega_r, \Omega_c; \alpha)q_\infty + \gamma_2(\Omega_r, \Omega_c; \alpha) \end{aligned} \quad (21)$$

where

$$\begin{aligned} \gamma_1(u, v; \alpha) &= \frac{(1 + \alpha)\mu u^2 v^2 - (u^2 + v^2)((1 + \alpha) - (\alpha u^2 + v^2))}{1 + \alpha - (1 + \mu)(\alpha u^2 + v^2)}, \\ \gamma_2(u, v; \alpha) &= \frac{u^2 v^2((1 + \alpha) - (\alpha u^2 + v^2))}{1 + \alpha - (1 + \mu)(\alpha u^2 + v^2)}. \end{aligned} \quad (22)$$

By eliminating non physical solutions, only one solution remains for each equation, yielding

$$\begin{aligned} q_0 &= \frac{-\gamma_1(\Omega_l, \Omega_c; \alpha) - \sqrt{\gamma_1((\Omega_l, \Omega_c; \alpha))^2 - 4\gamma_2((\Omega_l, \Omega_c; \alpha))}}{2}, \\ q_\infty &= \frac{-\gamma_1(\Omega_r, \Omega_c; \alpha) + \sqrt{\gamma_1((\Omega_r, \Omega_c; \alpha))^2 - 4\gamma_2((\Omega_r, \Omega_c; \alpha))}}{2}. \end{aligned} \quad (23)$$

These solutions depend on Ω_l , Ω_c and Ω_c which themselves depend on q_0 and q_∞ . Any attempt to eliminate Ω_l , Ω_c and Ω_c or q_0 and q_∞ yields very complex equations that cannot not be solved explicitly. To circumvent this difficulty, we propose to solve Eqs.(19) and (21) iteratively. For the initialization, the parameters q_0 and q_∞ are set such that $k_2 = k = k_0$ in which k_0 is the optimal stiffness for a classical TMD, i.e., $k_0 = \mu k_1 / (1 + \mu)^2$. Then Eqs.(19) and (21) are successively and repeatedly solved until convergence. For the case $m_1 = 1$ kg, $m_2 = 0.1$ kg, $k_1 = 1$ N/m, and $\alpha = 1$, the convergence curves of parameters Ω_l , Ω_c , Ω_c , q_0 and q_∞ for 100 iterations are plotted in Figure 4. It can be seen a good convergence after 50 iterations. Once the q_0 and q_∞ calculated, the stiffnesses k_2

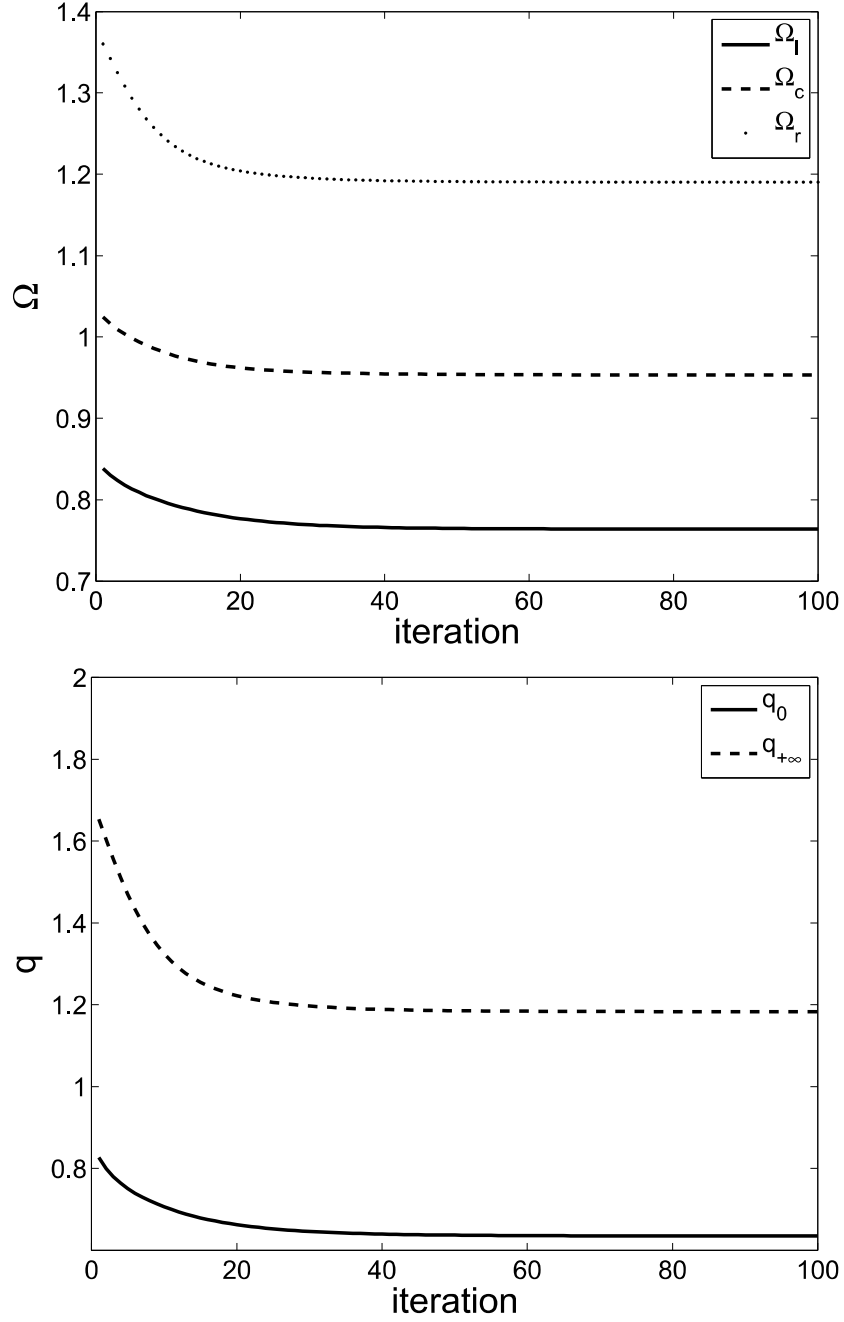


Figure 4: The convergence for $\Omega_l, \Omega_c, \Omega_r$ (solutions of Eq. (19)), q_0 and $q_{+\infty}$ (see Eq. (23)) with number of iterations.

and k are calculated such that

$$k_2 = q_0 k_1 \mu, \quad k = q_\infty k_1 \mu - k_2; \quad (24)$$

For the optimal values of k_2 and k , the function $\beta(\omega)$ is plotted on Figure 5 for different values of the damping coefficient η .

4.4. Calculation of the damping coefficient η

The effect of the damping coefficient η on the amplitude of the response can be seen in Figure 5. This parameter directly impacts the symmetry of function $\beta(\omega)$ with respect to the central fixed-point Ω_c . It appears clear that the optimal curve corresponds to the one that will present the best symmetry with respect to Ω_c . A possible way to control this symmetry consists in controlling the slopes of function $\beta(\omega)$ at the fixed-points Ω_l and Ω_r and try to make these slopes opposite. A direct method would consist in calculating the derivative $\beta'(\omega)$ of the function $\beta(\omega)$ with respect to ω and then calculate then calculate the slopes at frequencies Ω_l and Ω_r . Then the optimal value for η_{opt} is such that

$$\beta'(\omega_l; \eta_{opt}) = -\beta'(\omega_r; \eta_{opt}). \quad (25)$$

Unfortunately, the function $\beta'(\omega)$ is very complex and this method does not allow to obtain a closed-form expression for η_{opt} . We then propose an alternative approach consisting in approximating the derivative. Then Eq.(15) is modified using a forward approximation at ω_l and backward approximation at ω_r , i.e.,

$$\frac{\beta(\omega_l + \Delta\omega; \eta_{opt}) - \beta(\omega_l; \eta_{opt})}{\Delta\omega} = -\frac{\beta(\omega_r; \eta_{opt}) - \beta(\omega_r - \Delta\omega; \eta_{opt})}{\Delta\omega}, \quad (26)$$

where $\Delta\omega$ is a small frequency increment. Then since $\beta(\omega_l; \eta_{opt}) = \beta(\omega_r; \eta_{opt})$, solving Eq.(15) consists in searching the zero of the function $\epsilon(\eta)$ defined by

$$\epsilon(\eta) = \beta(\omega_l + \Delta\omega; \eta) - \beta(\omega_r - \Delta\omega; \eta). \quad (27)$$

Finally, this approximation consists in equalling the value of the amplitudes just after ω_l and just before ω_r . The zero of function $\epsilon(\eta)$ can be search graphically or using any devoted algorithm. For the previous case, with $\alpha = 1$ and $\Delta\omega = 0.01$, function $\epsilon(\eta)$ is plotted in Figure 6 In can be seen in this figure that the zero is reached for $\eta_{opt} = 0.045$ Ns/m. The corresponding function $\beta(\omega)$ is plotted in Figure 7. In Figure 8, the mitigation obtained using the optimal viscoelastic TMD is compared to the one obtained using a

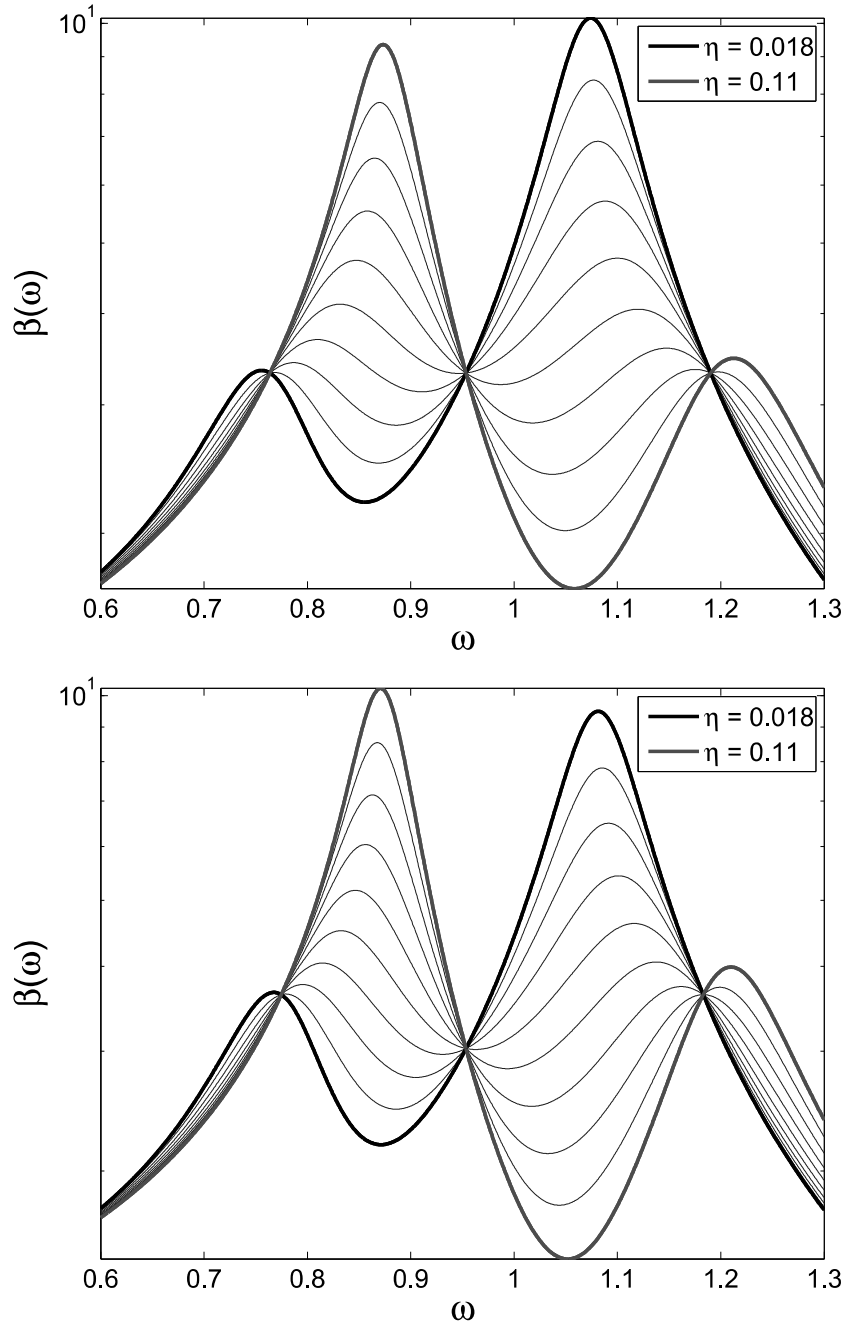


Figure 5: The amplification factor $\beta(\omega)$ for different values of η . Top: $\alpha = 1$. Bottom: $\alpha = 1.2$.

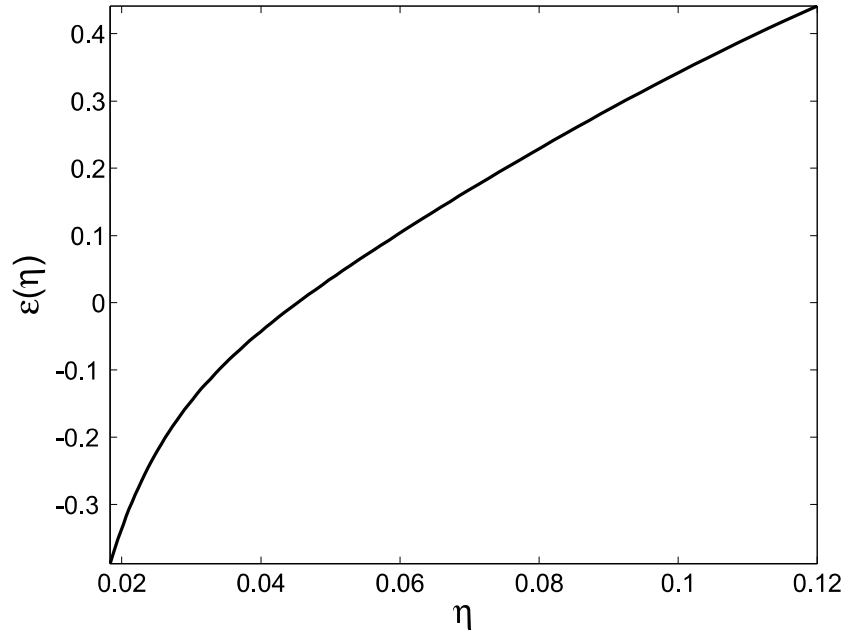


Figure 6: The function $\epsilon(\eta)$ (see Eq. (27)).

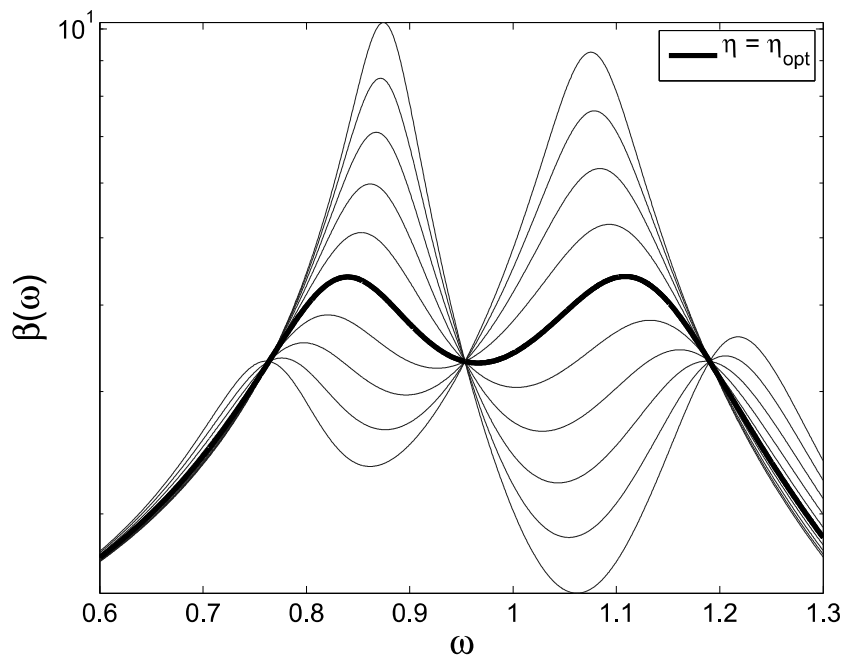


Figure 7: The amplification factor $\beta(\omega)$ for different values of the damping coefficient η .

classical optimal TMD. We can see in this figure that a viscoelastic TMD gives a better

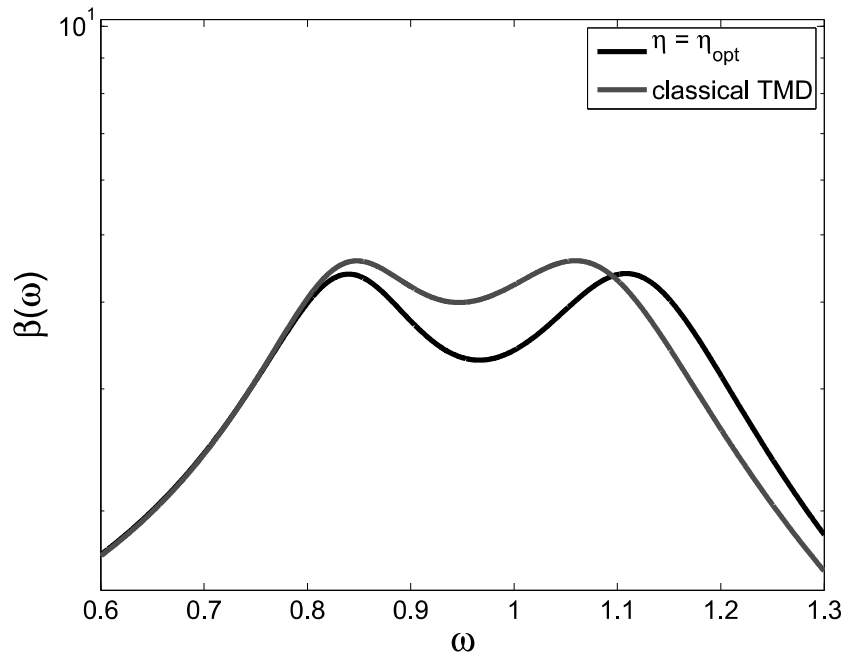


Figure 8: A comparison of the amplification factor $\beta(\omega)$ between the optimal viscoelastic TMD and the classical optimal TMD.

mitigation than a classical optimal TMD for a wide range of frequencies including around the resonance frequencies.

The comparison is also performed for different value of the mass ratio μ . The results are plotted in Figure 9. It can be seen in this figure that the gain provided by a viscoelastic TMD increases with the mass ratio.

5. Summary and discussions

Tuned mass dampers (TMD) are classical passive vibration control concepts achieved by attaching a secondary oscillator to a primary oscillator. A TMD with viscoelastic properties has been considered in this paper as a generalisation of the classical viscously damped TMDs. The widely-used Biot model of viscoelasticity with one term is used. This gives rise to two additional parameters (the stiffness and the time constant) to be determined compared to an undamped TMD. Some of the main points of this paper are:

- The fixed-points theory has been generalized to the optimal parameters of the viscoelastic TMD.

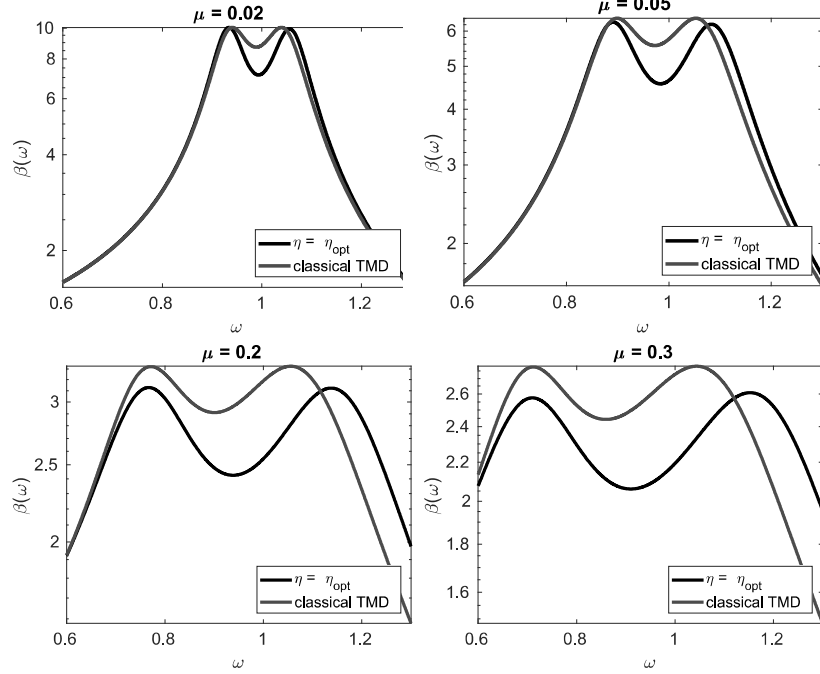


Figure 9: Comparison of the amplification factor $\beta(\omega)$ between the optimal viscoelastic TMD and the classical optimal TMD for different values of the mass ratio μ .

- A TMD with a standard linear viscoelastic model shows three fixed-points instead of the two fixed-points for a classical TMD.
- The two stiffnesses are obtained by controlling the vibration amplitude at the three fixed-points.
- The damping coefficient is obtained by controlling the symmetry of the of the amplitude function with respect with respect to the central fixed point.
- The optimized viscoelastic TMD offers more flexibility and allows to reach a better vibration mitigation compared to classical viscously damped TMD.

Representative numerical results with non-dimensional parameters are given. A semi-analytical iterative procedure for calculating the optimal parameters has been proposed. Through numerical examples. It has been demonstrated that the iterative approached converges rapidly to the final value. It is assumed that there is no damping for the primary structure. In the presence of damping, similarly to the classical TMDs, the dynamics won't exhibit fixed-points any more. In the case of reasonably small damping, it is expected, as shown for classical TMDs (see [15]) that the fixed points will remain close to the fixed-points corresponding to the undamped primary structure. It is also

assumed that the primary structure is linear. In the case of a nonlinear behaviour, a temporally averaged linearisation technique, as suggested in [35], could be applied as a prior step before applying the method proposed in the present paper. The methodology has been derived for the standard (Biot) linear viscoelastic model. The use of a Standard linear model enables a closed-form solution to be calculated (and thus avoids the solving of a non-convex inverse problem), which is one of the objectives of this paper. Future research is necessary to determine if there would still be fixed-points for a more general viscoelastic model.

Appendix A. Closed-form solution for the fixed-points equation

Let a_0 , a_1 and a_2 be the coefficients associated with the cubic (in Ω^2) Eq.(19):

$$a_0 = -q_0q_\infty, \quad a_1 = (q_0 + q_\infty) + q_0q_\infty(\mu + 1), \quad a_2 = -((q_0 + q_\infty)(2 + \mu) + 2)/2. \quad (\text{A.1})$$

In this case the three solutions Ω_l , Ω_c and Ω_d can be calculated as

$$\Omega_l = \sqrt{r_1}, \quad \Omega_c = \sqrt{r_2}, \quad \Omega_r = \sqrt{r_3}, \quad (\text{A.2})$$

where

$$\begin{aligned} r_1 &= -a_2/3 - (S + T)/2 + i\sqrt{3}(S - T)/2, \\ r_2 &= -a_2/3 - (S + T)/2 - i\sqrt{3}(S - T)/2, \\ r_3 &= -a_2/3 + S + T, \end{aligned} \quad (\text{A.3})$$

in which

$$S = \left(R + \sqrt{Q^3 + R^2}\right)^{1/3}, \quad T = \left(R - \sqrt{Q^3 + R^2}\right)^{1/3}, \quad (\text{A.4})$$

and such that

$$Q = (3a_1 - a_2^2)/9, \quad R = (9a_2a_1 - 27a_0 - 2a_2^3)/54, \quad (\text{A.5})$$

References

- [1] J. Ormondroyd, J. P. D. Hartog, Theory of the dynamic vibration absorber, Transactions of the American Society of Mechanical Engineers 50 (1928) 9–22.
- [2] J. P. D. Hartog, Mechanical Vibrations, McGraw-Hill, New York, 1956.
- [3] T. T. Soong, G. F. Dargush, Passive Energy Dissipation Systems in Structural Engineering, Wiley, New York, 1997.

- [4] D. A. Rade, V. Steffen, Optimisation of dynamic vibration absorbers over a frequency band, *Mechanical Systems and Signal Processing* 14 (5) (2000) 679 – 690.
- [5] F. A. C. Viana, G. I. Kotinda, D. A. Rade, V. Steffen, Tuning dynamic vibration absorbers by using ant colony optimization, *Computers & Structures* 86 (13) (2008) 1539 – 1549.
- [6] S. E. Randall, D. M. Halsted, D. L. Taylor, Optimum vibration absorber for linear damped system, *ASME Journal of Mechanical Design* 103 (1981) 908–913.
- [7] S. J. Zhu, Y. F. Zheng, Y. M. Fu, Analysis of non-linear dynamics of a two-degree-of-freedom vibration system with non-linear damping and non-linear spring, *Journal of Sound and Vibration* 271 (1-2) (2004) 15–24.
- [8] K. Liu, G. Coppola, Optimal design of damper dynamic vibration absorber for damped primary systems, *Transactions of the Canadian Society for Mechanical Engineering* 34 (1) (2010) 119–135.
- [9] A. G. Thompson, Optimizing the untuned viscous dynamic vibration absorber with primary system damping: a frequency locus method, *Journal of Sound and Vibration* 77 (1980) 469–472.
- [10] E. Pennestri, An application of chebyshev’s min-max criterion to the optimum design of a damped dynamic vibration absorber, *Journal of Sound and Vibration* 217 (1998) 757–765.
- [11] M. O. Chtiba, S. Choura, A. H. Nayfeh, S. El-Borgi, Vibration confinement and energy harvesting in flexible structures using collocated absorbers and piezoelectric devices, *Journal of Sound and Vibration* 329 (2010) 261–276.
- [12] B. Brown, T. Singh, Minimax design of vibration absorbers for linear damper systems, *Journal of Sound and Vibration* 330 (2437-2448).
- [13] T. Ioi, K. Ikeda, On the dynamic vibration damped absorber of the vibration system, *Bulletin of the Japanese Society of Mechanical Engineering* 21 (151) (1978) 64–71.
- [14] Y. Fujino, M. Abe, Design formulas for tuned mass dampers based on a perturbation technique, *Earthquake Engineering and Structural Dynamics* 22 (1993) 833–854.
- [15] A. Ghosh, B. Basu, A closed-form optimal tuning criterion for TMD in damped structures, *Structural Control & Health Monitoring* 14 (2007) 681–692.
- [16] S. F. Ali, S. Adhikari, Energy harvesting dynamic vibration absorbers, *Transactions*

- of ASME, Journal of Applied Mechanics 80 (4) (2013) 041004:1–9.
- [17] S. Adhikari, Structural Dynamic Analysis with Generalized Damping Models: Analysis, Wiley ISTE, UK, 2013, (368 pages).
URL <http://eu.wiley.com/WileyCDA/WileyTitle/productCd-1848215215.html>
- [18] S. Adhikari, Structural Dynamic Analysis with Generalized Damping Models: Identification, Wiley ISTE, UK, 2013, (272 pages).
URL <http://eu.wiley.com/WileyCDA/WileyTitle/productCd-184821670X.html>
- [19] Y. C. Fung, Foundations of Solid Mechanics, Prentice-Hall Inc., Englewood Cliffs, New Jersey, 1965.
- [20] D. I. G. Jones, Handbook of Viscoelastic Vibration Damping, Wiley-Blackwell, Sussex, UK, 2001.
- [21] R. M. Christensen, Theory of Viscoelasticity, 1st Edition, Academic Press Inc, New York, 1982, reprinted by Dover Publication Inc, 2003, second Editon.
- [22] D. R. Bland, Theory of Linear Viscoelasticity, Pergamon Press, London, 1960.
- [23] L. Rouleau, J.-F. De Application of kramers-kronig relations to time-temperature superposition for viscoelastic materials, Mechanics of Materials.
- [24] M. Enelund, P. Olsson, Damping described by fading memory - analysis and application to fractional derivative models, International Journal of Solids and Structures 36 (7) (1999) 939 – 970.
- [25] M. D. Paola, A. Pirrotta, A. Valenza, Visco-elastic behavior through fractional calculus: An easier method for best fitting experimental results, Mechanics of Materials 43 (12) (2011) 799 – 806. doi:<https://doi.org/10.1016/j.mechmat.2011.08.016>.
URL <http://www.sciencedirect.com/science/article/pii/S0167663611001657>
- [26] G. Barone, M. D. Paola, F. L. Iacono, G. Navarra, Viscoelastic bearings with fractional constitutive law for fractional tuned mass dampers, Journal of Sound and Vibration 344 (2015) 18 – 27. doi:<https://doi.org/10.1016/j.jsv.2015.01.017>.
URL <http://www.sciencedirect.com/science/article/pii/S0022460X15000632>
- [27] M. A. Biot, Variational principles in irreversible thermodynamics with application

- to viscoelasticity, *Physical Review* 97 (6) (1955) 1463–1469.
- [28] M. A. Biot, Linear thermodynamics and the mechanics of solids, in: *Proceedings of the Third U. S. National Congress on Applied Mechanics*, ASME, New York, 1958, pp. 1–18.
- [29] R. L. Bagley, P. J. Torvik, Fractional calculus—a different approach to the analysis of viscoelastically damped structures, *AIAA Journal* 21 (5) (1983) 741–748.
- [30] D. F. Golla, P. C. Hughes, Dynamics of viscoelastic structures - a time domain finite element formulation, *Transactions of ASME, Journal of Applied Mechanics* 52 (1985) 897–906.
- [31] D. J. McTavish, P. C. Hughes, Modeling of linear viscoelastic space structures, *Transactions of ASME, Journal of Vibration and Acoustics* 115 (1993) 103–110.
- [32] G. A. Lesieutre, D. L. Mingori, Finite element modeling of frequency-dependent material properties using augmented thermodynamic fields, *AIAA Journal of Guidance, Control and Dynamics* 13 (1990) 1040–1050.
- [33] S. Adhikari, Energy dissipation in vibrating structures, Master’s thesis, Cambridge University Engineering Department, Cambridge, UK, first Year Report (May 1998).
- [34] S. Adhikari, J. Woodhouse, Identification of damping: part 1, viscous damping, *Journal of Sound and Vibration* 243 (1) (2001) 43–61.
- [35] A. Ghosh, B. Basu, Seismic vibration control of nonlinear structures using the liquid column damper, *Journal of Structural Engineering* 134 (1) (2008) 146–153. doi: 10.1061/(ASCE)0733-9445(2008)134:1(146).

List of Tables

1	Complex modulus for viscoelastic models in the frequency domain	7
---	---	---

List of Figures

1	Springs and dashpots based models viscoelastic materials.	4
2	A schematic representation of the viscoelastic tuned mass damper.	7
3	The amplification factor $\beta(\omega)$ for different values of η	9
4	The convergence for $\Omega_l, \Omega_c, \Omega_c$ (solutions of Eq. (19)), q_0 and q_∞ (see Eq. (23)) with number of iterations.	12
5	The amplification factor $\beta(\omega)$ for different values of η . Top: $\alpha = 1$. Bottom: $\alpha = 1.2$	13
6	The function $\epsilon(\eta)$ (see Eq. (27)).	15
7	The amplification factor $\beta(\omega)$ for different values of the damping coefficient η	15
8	A comparison of the amplification factor $\beta(\omega)$ between the optimal viscoelastic TMD and the classical optimal TMD.	16
9	Comparison of the amplification factor $\beta(\omega)$ between the optimal viscoelastic TMD and the classical optimal TMD for different values of the mass ratio μ	16