



Swansea University
Prifysgol Abertawe



Cronfa - Swansea University Open Access Repository

This is an author produced version of a paper published in :
Journal of High Energy Physics

Cronfa URL for this paper:
<http://cronfa.swan.ac.uk/Record/cronfa31319>

Paper:

Lozano, Y., Macpherson, N., Montero, J. & Núñez, C. (2016). Three-dimensional $N=4$ linear quivers and non-Abelian T-duals. *Journal of High Energy Physics*, 2016(11)
[http://dx.doi.org/10.1007/JHEP11\(2016\)133](http://dx.doi.org/10.1007/JHEP11(2016)133)

This article is brought to you by Swansea University. Any person downloading material is agreeing to abide by the terms of the repository licence. Authors are personally responsible for adhering to publisher restrictions or conditions. When uploading content they are required to comply with their publisher agreement and the SHERPA RoMEO database to judge whether or not it is copyright safe to add this version of the paper to this repository.
<http://www.swansea.ac.uk/iss/researchsupport/cronfa-support/>

Three-dimensional $\mathcal{N} = 4$ linear quivers and non-Abelian T-duals

Yolanda Lozano,^a Niall T. Macpherson,^b Jesús Montero^a and Carlos Núñez^c

^a*Department of Physics, University of Oviedo,
Avda. Calvo Sotelo 18, Oviedo, 33007 Spain*

^b*Dipartimento di Fisica, Università di Milano-Bicocca and
INFN, sezione di Milano-Bicocca,
Milano, I-20126 Italy*

^c*Department of Physics, Swansea University,
Swansea, SA2 8PP United Kingdom*

E-mail: ylozano@uniovi.es, niall.macpherson@mib.infn.it,
monteroaragon@uniovi.es, c.nunez@swansea.ac.uk

ABSTRACT: In this paper we construct a new Type IIB background with an AdS_4 factor that preserves $\mathcal{N} = 4$ Supersymmetry. This solution is obtained using a non-Abelian T-duality transformation on the Type IIA reduction of the $AdS_4 \times S^7$ background. We interpret our configuration as a patch of a more general background with localised sources, dual to the renormalisation fixed point of a $T_{\rho}^{\hat{\rho}}(SU(N))$ quiver field theory. This relates explicitly the AdS_4 geometry to a D3-D5-NS5 brane intersection, illuminating what seems to be a more general phenomenon, relating AdS_{p+1} backgrounds generated by non-Abelian T-duality to Dp - $D(p+2)$ -NS5 branes intersections.

KEYWORDS: AdS-CFT Correspondence, Gauge-gravity correspondence

ARXIV EPRINT: [1609.09061](https://arxiv.org/abs/1609.09061)

Contents

1	Introduction	1
2	The Type IIB $\mathcal{N} = 4$ AdS_4 solution	3
2.1	Reduction of \mathbb{Z}_k orbifold to IIA	4
2.2	The non-Abelian T-dual solution	5
3	Aspects of 3d $\mathcal{N} = 4$ CFTs and their holographic duals	8
3.1	3d $\mathcal{N} = 4$ CFTs	8
3.2	The ABEG dual geometries	10
4	The Type IIB $\mathcal{N} = 4$ AdS_4 solution and CFT	12
5	The Type IIB $\mathcal{N} = 4$ AdS_4 solution as a ABEG geometry	15
6	Free energy	18
7	Summary and conclusions	22
A	The Abelian T-dual limit	24
A.1	The solution	24
A.2	Connection with ABEG geometries	26
A.3	Free energy	28
B	Relating Abelian and non-Abelian T-duality	28

1 Introduction

The idea of duality is very old, perhaps dating back to the (self) duality of the Maxwell equations in the absence of charges and currents. The transformation of the fields describing a given dynamics into a *different* set of fields where particular phenomena become more apparent, is a recurrent idea in Theoretical Physics. Indeed, dualities like those proposed by Montonen and Olive [1], Seiberg and Witten [2, 3], Seiberg [4], or the U-duality web in String Theory (see for example [5, 6]) are examples of this. While these dualities are very hard to prove (hence initially conjectured), they have very far reaching consequences in Physics: the phenomena that in one description are highly fluctuating and hence eminently quantum mechanical, become semiclassical and characteristically weakly coupled in the dual set of variables. The AdS/CFT duality [7–9] relating gauge theories and String theories is a paradigmatic example of this.

Other dualities, like the Kramers-Wannier self duality of the two-dimensional Ising model [10], bosonisation in two dimensions [11, 12] or T-duality in the String Theory sigma model [13–15], are within the class of dualities that can be formally proven.

In 1993, Quevedo and de la Ossa [16], following ideas in [15], proposed a non-Abelian generalisation of T-duality, applicable to the Neveu-Schwarz sector of the string sigma model. This was later complemented by Sftesos and Thompson, who showed how to transform the fields in the Ramond sector [17]. This important work opened the way for further study involving new backgrounds and illuminating some geometrical and dual field theoretic aspects of the non-Abelian T-duality [18–23]–[44]. These works have in turn motivated the search for new classes of supersymmetric AdS solutions that were overlooked until recently [45]–[49].

Whilst the sigma-model procedure to calculate the non-Abelian T-dual of a given background is apparently straightforward, many interesting subtleties related to global aspects and invertibility of the duality arise. These subtle aspects were studied in the mid-nineties but not completely resolved, in spite of many serious attempts [50–52]–[55]. Some of such concrete problems are the (im)possibility of extending the non-Abelian duality procedure to all orders in string perturbation theory and α' , and the determination of the range of the coordinates and topology of the dual manifold. These issues cast doubts about the ‘duality-character’ of the non-Abelian T-duality transformation.

One goal of this paper — elaborating on ideas introduced in [44] — is to get information on some of the global problems mentioned above. The example we will consider here involves a Type IIB background with an AdS_4 factor, preserving $\mathcal{N} = 4$ Supersymmetry.

A second goal of this paper — of interest in a broader context — will be to produce a new analytic solution to the Type IIB Supergravity equations of motion with an AdS_4 factor, that can be interpreted as an intersection of D3-D5-NS5 branes. Our example illuminates what is surely a more general phenomenon, relating AdS_{p+1} geometries generated by non-Abelian T-duality with Dp - $D(p+2)$ -NS5 branes intersections — see for example [45, 56, 57] for other recent studies of such configurations.

Furthermore, our case-study provides an interesting arena where the CFT interpretation of non-Abelian T-duality put forward in [44] can be tested. Indeed, using the results in [58, 59] (see also [60]), which elaborate on certain limits of Type IIB Supergravity solutions discussed in [61, 62], it is possible to associate a concrete CFT dual to our AdS_4 solution. This will be a $\mathcal{N} = 4$, $d=3$ conformal field theory, arising as the Renormalisation Group fixed point of a $T_{\hat{\rho}}(SU(N))$ quantum field theory that belongs to the general class introduced by Gaiotto and Witten in [63]. These conformal field theories can be described in terms of a linear quiver with bi-fundamental and fundamental matter or, equivalently, in terms of Hanany-Witten set ups [64] containing D3, NS5 and D5 branes.

This work extends the ideas in [44] to the AdS_4/CFT_3 case. The paper [44] deals with the *singular* background obtained by the application of non-Abelian T-duality on $AdS_5 \times S^5$ and its interpretation as a Gaiotto-Maldacena type of geometry [65]. Using the formal developments of [66, 67], a *completion* to the geometry generated by non-Abelian duality was proposed, with the following relevant properties:

- It is a smooth background, except at isolated points where brane sources are located.
- The dual CFT is known explicitly.

- The coordinates of the completed geometry have a definite range, determined by imposing the matching between observables calculated with the CFT and with the geometrical description.
- The original non-Abelian T-dual background (that is, the geometry before *completion*) can be seen as a *zoom-in* on a patch of the completed manifold.

In this paper, we will use a combination of insights from three-dimensional $\mathcal{N} = 4$ CFTs and their dual geometries to obtain a similar understanding of an AdS_4 Type IIB background, obtained by the action of non-Abelian T-duality on the Type IIA reduction of $AdS_4 \times S^7$. An outline of this work goes as follows.

In section 2, we present our (new) background, analyse the amount of SUSY preserved and study the structure of its singularities. The calculation of the associated charges leads us to a proposal for the Hanany-Witten set-up [64]. In section 3 we discuss aspects of $\mathcal{N} = 4$ SCFTs in three dimensions. The associated backgrounds containing an AdS_4 sub-manifold are also discussed. In sections 4 and 5, we embed our non-abelian T-dual geometry into the formalism of [58] (ABEG hereafter). This leads us to a precise proposal for the CFT dual to our background. We interpret our singular solution as embedded in a more generic background (with the characteristics itemized above). Section 6 discusses the subtle calculation of the free energy for the CFT defined by the non-abelian T-dual geometry. Conclusions and some further directions to explore are collected in section 7. Appendix A summarises the main properties of the Abelian T-dual limit of the non-Abelian solution, of relevance for the interpretation of the free energy. Finally, appendix B contains an interesting general relation between Abelian and non-Abelian T-duals.

2 The Type IIB $\mathcal{N} = 4 AdS_4$ solution

In this section we present the new type IIB $\mathcal{N} = 4 AdS_4$ background where our ideas will be tested. It is generated from the maximally supersymmetric $AdS_4 \times S^7$ solution in M-theory (once reduced to Type IIA), through a non-Abelian T-duality transformation.

To begin we parametrise the M-theory solution such that we manifestly have two three-spheres S_1^3 and S_2^3 , as

$$\begin{aligned}
 ds_{11d}^2 &= ds^2(AdS_4) + 4L^2 \left(\frac{1}{4} d\mu^2 + \sin^2\left(\frac{\mu}{2}\right) ds^2(S_1^3) + \cos^2\left(\frac{\mu}{2}\right) ds^2(S_2^3) \right), \\
 G_4 &= \frac{3\rho^2}{L^3} dt \wedge dx_1 \wedge dx_2 \wedge d\rho = \frac{3}{L} \text{Vol}(AdS_4), \quad ds^2(AdS_4) = \frac{\rho^2}{L^2} dx_{1,2}^2 + L^2 \frac{d\rho^2}{\rho^2},
 \end{aligned}
 \tag{2.1}$$

where as usual for AdS_4 Freund-Rubin solutions the AdS and internal radii obey the relation $R_{S^7} = 2R_{AdS_4}$. We take the three-spheres to have unit radius, which means $\mu \in [0, \pi)$. With the above parametrisation there is enough symmetry to reduce to IIA within one of the three spheres and then perform a T-duality transformation on the other. Here we will focus on performing an $SU(2)$ non-Abelian T-duality on the residual $SU(2)$. We also give details of the Hopf fibre T-dual in appendix A.

We want to reduce to Type IIA on the Hopf direction of S^3_2 by parametrising it as

$$4ds(S^3_2) = d\theta_2^2 + \sin^2 \theta_2 d\phi_2^2 + (d\psi_2 + \cos \theta_2 d\phi_2)^2, \quad (2.2)$$

with $\psi_2 \in [0, 4\pi]$. Since some supersymmetry will be broken in the process, as the isometry parametrised by ∂_{ψ_2} defines a $U(1)$ subgroup of the full $SO(8)$ R-symmetry, we briefly study the Killing spinor equations. To this end we introduce the manifestly $U(1)_{\psi_2}$ invariant vielbein,

$$\begin{aligned} e^{xi} &= \frac{R}{L} dx_i \quad (i = t, x_1, x_2), & e^R &= \frac{L}{R} dR, \\ e^\mu &= L d\mu, & e^1 &= L \sin\left(\frac{\mu}{2}\right) \omega_1, & e^2 &= L \sin\left(\frac{\mu}{2}\right) \omega_2, & e^3 &= L \sin\left(\frac{\mu}{2}\right) \omega_3. \\ e^{\theta_2} &= L \cos\left(\frac{\mu}{2}\right) d\theta_2, & e^{\phi_2} &= L \cos\left(\frac{\mu}{2}\right) \sin \theta_2 d\phi_2, & e^{\psi_2} &= L \cos\left(\frac{\mu}{2}\right) (d\psi_2 + \cos \theta_2 d\phi_2). \\ F_4 &= \frac{3}{L} e^{tx_1x_2\rho}, \end{aligned} \quad (2.3)$$

where

$$\omega_1 + i\omega_2 = e^{i\psi_1} (id\theta_1 + \sin \theta_1 d\phi_1), \quad \omega_3 = d\psi_1 + \cos \theta_1 d\phi_1, \quad (2.4)$$

which makes manifest an additional $SU(2)$ isometry parametrised by S^3_1 . The gravitino variation on S^7 is given in flat indices by¹

$$\nabla_a \eta + \frac{1}{4L} \Gamma_a \hat{\gamma} \eta = 0, \quad (2.5)$$

where $\hat{\gamma} = \Gamma_t \Gamma_{x_1} \Gamma_{x_2} \Gamma_\rho$. The number of preserved supercharges is determined by what fraction of the initial 32 SUSYs are consistent with setting $\partial_{\psi_2} \eta = 0$ in the frame of eq. (2.3). One can show by imposing that η is independent of ψ_2 that one is lead to a single projection that the Killing spinor must obey,

$$\Gamma_{\mu\theta_2\phi_2\psi_2} \eta = - \left(\cos\left(\frac{\mu}{2}\right) + \sin\left(\frac{\mu}{2}\right) \hat{\gamma} \Gamma_\mu \right) \eta, \quad (2.6)$$

which breaks supersymmetry by half, leaving 16 real supercharges preserved by the reduction to Type IIA. In fact the projection also makes the Killing spinor independent of $(\theta_1, \phi_1, \psi_1)$ in the frame of eq. (2.3) and independent of ψ_1 in any frame in which the Hopf isometry of S^3_1 is manifest. These are precisely the conditions for supersymmetry to be unbroken under $SU(2)$ and $U(1)$ T-duality transformations respectively [35, 68]. So 16 supercharges will remain in Type IIB after either of these duality transformations, enough for this background to be dual to a three-dimensional $\mathcal{N} = 4$ SCFT.

2.1 Reduction of \mathbb{Z}_k orbifold to IIA

Let us now proceed with the reduction on ψ_2 with a slight generalisation. Let us reduce the \mathbb{Z}_k orbifold of S^3_2 . This has the effect of generating a stack of k D6 branes in Type IIA while leaving the supersymmetry arguments unchanged.

¹That the AdS_4 directions solve is a standard exercise that we omit for brevity.

Taking the \mathbb{Z}_k orbifold, amounts to sending $S_2^3 \rightarrow S_2^3/\mathbb{Z}_k$ in eq. (2.1) with,

$$4ds(S_2^3/\mathbb{Z}_k) = d\theta_2^2 + \sin^2 \theta_2 d\phi_2^2 + \frac{4}{k^2} \left(d\psi_2 + \frac{k}{2} \cos \theta_2 d\phi_2 \right)^2, \quad (2.7)$$

where ψ_2 now has period 2π . Setting $l_p = \alpha' = g_s = 1$ leads to the type IIA solution,

$$ds_{IIA}^2 = e^{\frac{2}{3}\phi_0} \cos\left(\frac{\mu}{2}\right) \left[ds^2(AdS_4) + 4L^2 \left(\frac{1}{4} d\mu^2 + \sin^2\left(\frac{\mu}{2}\right) ds^2(S_1^3) + \frac{1}{4} \cos^2\left(\frac{\mu}{2}\right) ds^2(S_2^2) \right) \right],$$

$$F_4 = \frac{3}{L} \text{Vol}(AdS_4), \quad F_2 = -\frac{k}{2} \text{Vol}(S_2^2), \quad e^{2\Phi_0} = e^{2\phi_0} \cos^3\left(\frac{\mu}{2}\right), \quad e^{\frac{2}{3}\phi_0} = \frac{2L}{k}. \quad (2.8)$$

The reduction has generated a singularity at $\mu = \pi$, but this has a physical interpretation, it is due to the k D6 branes mentioned earlier. Indeed close to $\mu = \pi$ the metric has the form,

$$ds^2 \sim \frac{e^{2\phi_0/3}}{2} \left[\sqrt{\nu} \left(ds^2(AdS_4) + 4L^2 ds^2(S_1^3) \right) + \frac{L^2}{4\sqrt{\nu}} \left(d\nu^2 + \nu^2 ds^2(S_2^2) \right) \right], \quad e^\Phi \sim \frac{e^{\phi_0} \nu^{3/4}}{2\sqrt{2}}, \quad (2.9)$$

for $\nu = (\pi - \mu)^2$. We see that the reduction has generated D6 branes that extend along AdS_4 , wrap S_1^3 and are localised at $\mu = \pi$. Of course this was to be expected as D6 brane singularities are always generated anywhere the M-theory circle shrinks to zero size.

Before moving on, let us quote the D-brane charges,

$$N_{D2} = \frac{1}{2\kappa_{10}^2 T_2} \int \star F_4 = \frac{2L^6}{k\pi^2}, \quad Q_{D6} = \frac{1}{2\kappa_{10}^2 T_4} \int_{S_2^2} F_2 = k. \quad (2.10)$$

In our conventions $2\kappa_{10}^2 T_{Dp} = (2\pi)^{7-p}$. We thus set

$$L^6 = \frac{k\pi^2 N_{D2}}{2}, \quad (2.11)$$

to have integer D2 brane charge. We find the expected number of D6 branes.

2.2 The non-Abelian T-dual solution

We now present the solution that will be the main focus of this work, which is the result of performing a non-Abelian T-dual transformation on the S_1^3 of eq. (2.8). Using the rules in [35], and parametrising the T-dual coordinates in terms of spherical coordinates (r, S_1^2) , we generate the NS sector,

$$ds_{IIB}^2 = e^{\frac{2}{3}\phi_0} \cos\left(\frac{\mu}{2}\right) \left[ds^2(AdS_4) + L^2 \left(d\mu^2 + \frac{k^2}{L^6 \sin^2(\mu)} dr^2 + \cos^2\left(\frac{\mu}{2}\right) ds^2(S_2^2) \right) \right]$$

$$+ \frac{L^6}{k^2 \Delta} r^2 \sin^2\left(\frac{\mu}{2}\right) \sin^2(\mu) ds^2(S_1^2),$$

$$B_2 = \frac{L^3}{k\Delta} r^3 \sin\left(\frac{\mu}{2}\right) \sin(\mu) \text{Vol}(S_1^2), \quad e^{2\Phi} = \frac{1}{\Delta} e^{2\phi_0} \cos^3\left(\frac{\mu}{2}\right), \quad (2.12)$$

where we have introduced

$$\Delta = \frac{L^3}{k^3} \sin\left(\frac{\mu}{2}\right) \sin(\mu) \left(k^2 r^2 + L^6 \sin^2\left(\frac{\mu}{2}\right) \sin^2(\mu)\right). \quad (2.13)$$

The solution is completed with the RR fluxes,

$$\begin{aligned} F_3 &= \frac{1}{4} \text{Vol}(S_2^2) \wedge d\left(kr^2 - \frac{L^6}{k} (\cos^2(\mu) - 3) \cos(\mu)\right), \\ F_5 &= \text{Vol}(AdS_4) \wedge d\left(\frac{L^5}{4k^2} (\cos(2\mu) - 4 \cos(\mu)) - \frac{3}{2L} r^2\right) \\ &\quad - \frac{L^9}{4k^2 \Delta} r^2 \sin^3(\mu) \sin\left(\frac{\mu}{2}\right) \text{Vol}(S_1^2) \wedge \text{Vol}(S_2^2) \wedge \left(3r \sin(\mu) d\mu + 2 \sin^2\left(\frac{\mu}{2}\right) dr\right). \end{aligned} \quad (2.14)$$

We have explicitly checked that the background in eqs. (2.12)–(2.14) solves the Type IIB Supergravity equations of motion, which is also implied by the result of the paper [24].

As is common to all backgrounds generated through an SU(2) non-Abelian T-duality transformation, this solution incorporates a non-compact r -direction. Moreover, this solution has two singularities. The first lies at $\mu = \pi$ and is inherited from the stack of D6 branes in IIA. Indeed, close to $\mu = \pi$ one finds

$$ds^2 \sim \frac{e^{2\phi_0/3}}{2} \left[\sqrt{\nu} (ds^2(AdS_4) + L^2 ds^2(S_1^2)) + \frac{L^2}{4\sqrt{\nu}} (d\nu^2 + d\tilde{r}^2 + \nu^2 ds^2(S_2^2)) \right], \quad e^\Phi \sim \frac{2\sqrt{\nu}}{L^3 \tilde{r}} \quad (2.15)$$

where we have defined $\tilde{r} = 2k/L^2 r$ and $\nu = (\pi - \mu)^2$. This is almost the behaviour of the smeared D5 stack one would generate under Hopf fibre T-duality along ψ_1 . The r -dependence of the dilaton however modifies this. Recalling that the dilaton is determined by a one loop effect in T-duality, which essentially amounts to imposing that $e^{-2\Phi} \text{Vol}(\mathcal{M}_I)$ (where \mathcal{M}_I is the submanifold where the duality is performed) is duality invariant, the r factor has its origin in the different volumes of the original and non-Abelian T-dual submanifolds, which are respectively S^3 and \mathbb{R}^3 . This is manifest when we parametrise the volume of \mathbb{R}^3 in spherical coordinates (r, S_1^2) , where r is the radial direction. The second singularity at $\mu = 0$ is also unsurprising, since we have dualised on a sphere whose radius vanishes at this point. We indeed obtain the non-Abelian T-dual analogue of smeared NS5 branes, since close to $\mu \sim 0$ we have,

$$ds^2 \sim e^{2\phi_0/3} \left[ds^2(AdS_4) + L^2 ds^2(S_2^2) + \frac{L^2}{4\nu} (d\nu^2 + d\tilde{r}^2 + \nu^2 ds^2(S_1^2)) \right], \quad e^\Phi \sim \frac{8}{L^3 \sqrt{\nu} \tilde{r}} \quad (2.16)$$

where now we have defined $\nu = \mu^2$ and once more it is the dependence of the dilaton on r that makes this deviate from the conventional $(\sqrt{\nu})^{-1}$ behaviour.

As previously discussed in other non-Abelian T-dual examples — see [27, 34, 36, 43], the behaviour of the solution close to the location of the NS5-branes brings in interesting information. Close to $\mu = 0$ we have $B_2 = r \text{Vol}(S_1^2)$, with the metric spanned by (μ, S_1^2)

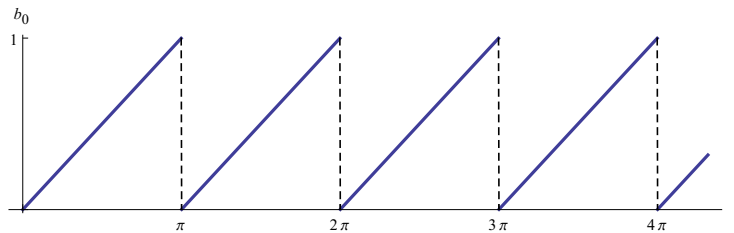


Figure 1. b_0 as a function of r .

becoming a singular cone, which defines a 2-cycle. This means that we must ensure that on this cycle S_1^2 , the quantity

$$b_0 = \frac{1}{4\pi^2} \int_{S_1^2} B_2 \quad (2.17)$$

satisfies $b_0 \in [0, 1]$ over the infinite range of r . This is achieved by performing a large gauge transformation $B_2 \rightarrow B_2 - n\pi \text{Vol}(S_1^2)$ every time we cross $r = n\pi$ for $n = 0, 1, 2, \dots$ so that b_0 is a piecewise linear periodic function as illustrated in figure 1. In this way r is naturally partitioned into intervals of length π , with different brane content in each one of them, as the study of the Page charges reveals. Indeed, there are two charges defined on compact sub manifolds,

$$N_{D5} = \frac{1}{2\kappa_{10}^2 T_5} \int_{\Sigma_1} F_3 = \frac{L^6}{k\pi}, \quad N_{D3} = \frac{1}{2\kappa_{10}^2 T_3} \int_{\Sigma_2} (F_5 - B_2 \wedge F_3) = nN_{D5}, \quad (2.18)$$

where $\Sigma_1 = (\mu, S_2^2)$, $\Sigma_2 = (\mu, S_2^1, S_2^2)$. Thus, we need to tune

$$L^6 = kN_{D5}\pi. \quad (2.19)$$

Notice that N_{D3} is not globally defined. Instead its value depends on which interval we consider. In addition to this there are three charges that are defined on the non compact sub-manifolds,

$$\tilde{\Sigma}_1 = (r, S_1^2), \quad \tilde{\Sigma}_2 = (r, S_2^2), \quad \tilde{\Sigma}_3 = (r, S_1^2, S_2^2). \quad (2.20)$$

We take the non compact r to be indicative of an infinite linear quiver, as shown for a related AdS_5 example in [44]. We calculate the charges in the interval $r \in [n\pi, (n+1)\pi]$ and find,

$$N_{NS5} = \frac{1}{2\kappa_{10}^2 T_{NS5}} \int_{S_1^2} \int_{n\pi}^{(n+1)\pi} dr H_3 = 1, \\ k_{D5} = -\frac{1}{2\kappa_{10}^2 T_5} \int_{S_2^2} \int_{n\pi}^{(n+1)\pi} dr F_3 = (1 + 2n) \frac{k\pi}{4} \equiv (2n + 1)k_0. \quad (2.21)$$

Notice that the parameter k , originally quantised in the Type IIA solution needs to be re-quantised according to $k\pi = 4k_0$, after the non-Abelian T-duality. The same happens to the size of the space L as shown in eq. (2.19).

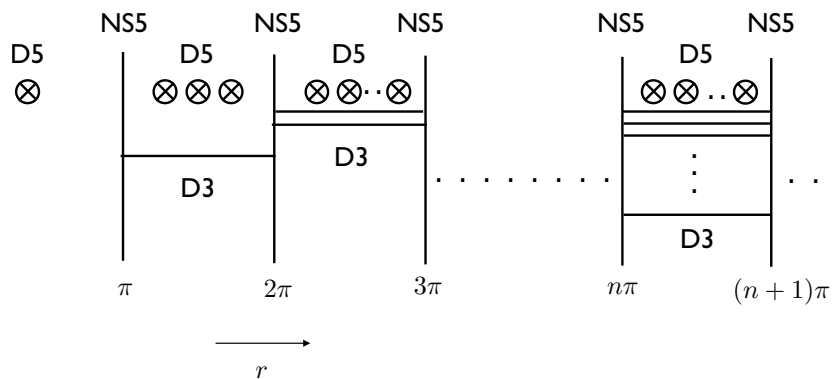


Figure 2. (NS5, D3, D5) brane set-up. The number of D3-branes is given in N_{D3} units and that of D5-branes in k_0 units.

We can also compute

$$k_{D3} = -\frac{1}{2\kappa_{10}^2 T_3} \int_{S_1^2 \times S_2^2} \int_{n\pi}^{(n+1)\pi} dr (F_5 - B_2 \wedge F_3) = (3n + 2) \frac{k_0}{3},$$

but this last one will not be relevant in our analysis below. Notice that all these charges are integer provided $\frac{k\pi}{12} = \frac{1}{3}k_0$ is an integer.

The previous analysis suggests a (NS5, D3, D5) brane set-up in which NS5-branes wrapped on $AdS_4 \times S_2^2$ are located at $\mu = 0, r = \pi, 2\pi, \dots, n\pi$, with n running to infinity, and there are nN_{D3} D3-branes, extended on $(\mathbb{R}^{1,2}, r)$ stretched among the n 'th and $(n+1)$ 'th NS5's. On top of this, $(2n + 1)k_0$ D5-branes, wrapped on $AdS_4 \times S_1^2$ and located at $\mu = \pi$, lie between the n 'th and $(n + 1)$ 'th NS5-branes. This brane set-up is depicted in figure 2. After we recall some basic properties of 3d $\mathcal{N} = 4$ CFTs and their holographic duals, following [58, 63], we will make a concrete proposal for the field theory living on this brane configuration.

3 Aspects of 3d $\mathcal{N} = 4$ CFTs and their holographic duals

In this section we recall the basic aspects of the three dimensional $\mathcal{N} = 4$ field theories studied in [63] and of their holographic duals, derived in [58, 60]. We start with the field theory description.

3.1 3d $\mathcal{N} = 4$ CFTs

The study of the moduli space of $\mathcal{N} = 4$ SYM in four dimensions defined on an interval with SUSY preserving boundary conditions, lead Gaiotto and Witten [63] to introduce a family of 3d quantum field theories — named $T_{\hat{\rho}}^{\hat{\rho}}(SU(N))$, characterised by an integer N and two partitions of it, denoted ρ and $\hat{\rho}$. From $(N, \rho, \hat{\rho})$ it is possible to read the data defining the UV of these theories, namely, the gauge group $G = U(N_1) \times \dots \times U(N_k)$, the bi-fundamental fields transforming in the (N_i, \bar{N}_{i+1}) representations, and the fundamental matter, transforming under $U(M_i)$ for each gauge group.

	0	1	2	3	4	5	6	7	8	9
D3	x	x	x	x						
D5	x	x	x		x	x	x			
NS55	x	x	x					x	x	x

Table 1. Hanany-Witten brane set-up corresponding to the $\mathcal{N} = 4$ 3d theory.

Given a list of positive numbers $[l_1 \geq l_2 \geq \dots \geq l_p]$, one can define a partition ρ of N by $N = \sum_{r=1}^p M_r l_r$. The numbers M_r , which indicate how many times the different integers l_r appear in the partition, give the ranks of the fundamental matter groups in the field theory. Similarly, one can define a second partition $\hat{\rho}$, consisting of the numbers $[\hat{l}_1 \geq \hat{l}_2 \geq \dots \geq \hat{l}_{\hat{p}}]$, with multiplicities \hat{M}_r , such that $N = \sum_{r=1}^{\hat{p}} \hat{M}_r \hat{l}_r$. From these partitions the ranks of the different $U(N_i)$ gauge groups are computed from the expressions,

$$N_i = \sum_{s=1}^i (m_s - \hat{l}_s), \quad (3.1)$$

where m_s denotes the number of terms that are equal or bigger than a given integer s in the decomposition $N = \sum_{r=1}^p M_r l_r$.

Gaiotto and Witten [63] conjectured that the condition for these three-dimensional field theories to flow to a conformal fixed point is (schematically) $\rho^T \geq \hat{\rho}$. More specifically, this condition means that

$$\sum_{s=1}^i m_s \geq \sum_{s=1}^i \hat{l}_s \quad \forall i = 1, \dots, \hat{p}. \quad (3.2)$$

Associating a Young tableau with rows of lengths $[l_1, \dots, l_p]$ to the partition ρ and one with columns of lengths $[\hat{l}_1, \dots, \hat{l}_{\hat{p}}]$ to the partition $\hat{\rho}$, this condition means that the number of boxes in the first i -rows of the Young tableau associated to ρ^T must be larger or equal than the corresponding number in the tableau associated to $\hat{\rho}$. In those cases in which the equality holds, that is,

$$\sum_{s=1}^i m_s = \sum_{s=1}^i \hat{l}_s \quad \text{for some } i, \quad (3.3)$$

some gauge groups have zero rank, and the quiver becomes disconnected.

The quantum theory defined by $T_{\hat{\rho}}^{\hat{\rho}}(\text{SU}(N))$ has Coulomb and Higgs branches of vacua, while the theory defined by $T_{\rho}^{\rho}(\text{SU}(N))$ has the same moduli space, but with the Coulomb and Higgs vacua interchanged. Both theories are conjectured to flow to the same IR fixed point, which is a reflection of mirror symmetry. The three-dimensional CFT that appears at low energies is invariant under $\text{SO}(2,3)$ -reflecting the conformality in 3d, and $\text{SO}(4) \sim \text{SU}(2)_L \times \text{SU}(2)_R$ -reflecting the R-symmetry of $\mathcal{N} = 4$ SUSY in 3d. This field theory can be nicely realised through a Hanany-Witten [64] set-up consisting of p D5 branes and \hat{p} NS5 branes with D3 branes stretched between them. This brane set-up is shown in table 1.

The x_3 -direction on which D3 branes stretch is of finite size, thus giving rise at long distances to a three-dimensional QFT on $[0, 1, 2]$. The $\text{SU}(2)_L \times \text{SU}(2)_R$ R-symmetry is

associated with rotations in the [4, 5, 6] and [7, 8, 9] directions. In turn, the $l_1 \geq l_2 \geq \dots \geq l_p$ and $\hat{l}_1 \geq \hat{l}_2 \geq \dots \geq \hat{l}_{\hat{p}}$ numbers that define the partitions $(\rho, \hat{\rho})$ are respectively, the linking numbers associated to the p D5 and \hat{p} NS5 branes. These are defined by

$$l_{D5,a} = l_a = -n_a + R_a^{\text{NS5}}, \quad a = 0, \dots, p,$$

$$\hat{l}_{\text{NS5},b} = \hat{l}_b = n_b + L_b^{\text{D5}} \quad b = 1, \dots, \hat{p},$$

where n_a is the net number of D3 branes ending on the given five brane (number of D3 on the right — number of D3 on the left). In turn, R_a^{NS5} is the number of NS5 branes to the *right* of a given D5 brane, while L_b^{D5} is the number of D5 branes to the *left* of a given NS5 brane. The multiplicities of each linking number, M_r, \hat{M}_r , are thus the number of branes in the corresponding stack of D5 or NS5 branes.

3.2 The ABEG dual geometries

Following the formulation initiated in [61, 62], the authors of [58, 60] proposed that the supergravity solutions associated to the three dimensional $\mathcal{N} = 4$ CFTs that we just described are fibrations of $AdS_4 \times S^2 \times S^2$ over a Riemann surface Σ_2 . We will refer to these geometries as ABEG geometries for brevity. These solutions have manifest $SO(2, 3) \times SU(2)_L \times SU(2)_R$ symmetry, and can be completely determined from two harmonic functions $h_1(z, \bar{z}), h_2(z, \bar{z})$, defined on the Riemann surface Σ_2 . From the functions h_1, h_2 , the background and fluxes are given by,

$$ds^2 = \lambda^2 ds^2(AdS_4) + \lambda_1^2 ds^2(S_1^2) + \lambda_2^2 ds^2(S_2^2) + ds^2(\Sigma_2),$$

$$H_3 = d(b_1) \wedge \text{Vol}(S_1^2), \quad F_3 = d(b_2) \wedge \text{Vol}(S_2^2), \quad ds^2(\Sigma_2) = 4\tilde{\rho}^2 |dz|^2$$

$$F_5 = 4(1 + \star) f \wedge \text{Vol}(S_1^2) \wedge \text{Vol}(S_2^2), \tag{3.4}$$

where $\tilde{\rho}^2, \lambda, \lambda_1, \lambda_2, b_1, b_2$ and the dilaton e^Φ are real functions and f denotes a 1-form on Σ_2 , explicitly written below. These functions can be written in a compact form from h_1, h_2 using,

$$W = \partial_z h_1 \partial_{\bar{z}} h_2 + \partial_{\bar{z}} h_1 \partial_z h_2, \quad X = i(\partial_z h_1 \partial_{\bar{z}} h_2 - \partial_{\bar{z}} h_1 \partial_z h_2)$$

$$N_1 = 2h_1 h_2 |\partial_z h_1|^2 - h_1^2 W, \quad N_2 = 2h_1 h_2 |\partial_z h_2|^2 - h_2^2 W, \tag{3.5}$$

as,

$$\tilde{\rho}^2 = \frac{\sqrt{N_2 |W|}}{h_1 h_2}, \quad \lambda^2 = 2\sqrt{\frac{N_2}{|W|}}, \quad \lambda_1^2 = 2e^\Phi h_1^2 \sqrt{\frac{|W|}{N_1}}, \quad \lambda_2^2 = 2h_2^2 \sqrt{\frac{|W|}{N_2}},$$

$$b_1 = 2h_2^D + 2h_1^2 h_2 \frac{X}{N_1}, \quad b_2 = -2h_1^D + 2h_1 h_2^2 \frac{X}{N_2}, \quad e^{2\Phi} = \frac{N_2}{N_1}. \tag{3.6}$$

Here h_1^D, h_2^D are the harmonic duals of h_1, h_2 , defined such that $h_1^D + ih_1$ and $h_2 - ih_2^D$ are holomorphic functions. Notice that we are working in string frame, hence some factors of the dilaton differ from [60, 62], which use Einstein frame. Finally, the 1-form f is given by,

$$f = 2 \text{Im} \left(\left[3i(h_1 \partial_z h_2 - h_2 \partial_z h_1) + \partial_z \left(h_1 h_2 \frac{X}{W} \right) \right] \frac{\lambda_1^2 \lambda_2^2}{\lambda^4} dz \right). \tag{3.7}$$

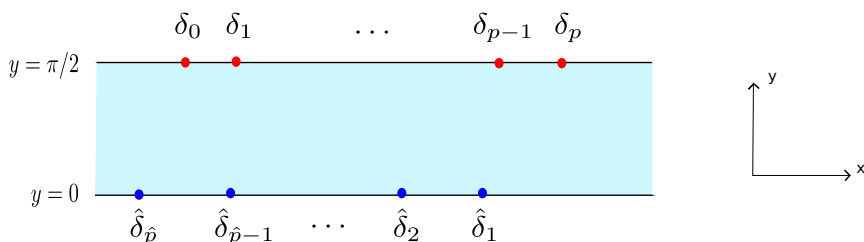


Figure 3. 5-branes distribution along the strip, parameterised by $z = x + iy$.

It was shown in [58] that the two harmonic functions h_1 , h_2 that encode the supergravity solution as shown above, can be determined from the (D5, NS5, D3) brane set-up associated to the $T_{\hat{\rho}}^{\hat{\rho}}(\text{SU}(N))$ theory. Defining the sets of numbers $[N_5^a, \delta_a]$ and $[\hat{N}_5^b, \hat{\delta}_b]$, denoting respectively the number of branes at each stack and the position of this stack, for D5 and NS5 branes, and taking Σ_2 as the strip defined by $-\infty < \text{Re}[z] < \infty$ and $0 \leq \text{Im}[z] \leq \frac{\pi}{2}$,² the h_1 , h_2 functions are given by,

$$h_1 = -\frac{1}{4} \sum_{a=1}^p N_5^a \log \tanh \left(\frac{i\frac{\pi}{2} + \delta_a - z}{2} \right) + cc, \quad h_2 = -\frac{1}{4} \sum_{b=1}^{\hat{p}} \hat{N}_5^b \log \tanh \left(\frac{z - \hat{\delta}_b}{2} \right) + cc. \quad (3.8)$$

These expressions exhibit logarithmic singularities at the locations of the stacks of D5-branes, at $z = \delta_a + i\pi/2$, for h_1 , and at the locations of the NS5-branes $z = \hat{\delta}_b$, for h_2 . The brane distribution is depicted in figure 3. The Laplace problem that these functions solve must be complemented by conditions on the boundaries of the Riemann surface [61, 62],

$$h_1|_{\text{Im}[z]=0} = \partial_{\perp} h_2|_{\text{Im}[z]=0} = 0, \quad h_2|_{\text{Im}[z]=\frac{\pi}{2}} = \partial_{\perp} h_1|_{\text{Im}[z]=\frac{\pi}{2}} = 0, \quad (3.9)$$

where $\partial_{\perp} = \partial_z - \partial_{\bar{z}}$, which the h_1 and h_2 in eq. (3.8) satisfy.

From the expressions for h_1 , h_2 in eq. (3.8), the fluxes in eq. (3.4) can be calculated using eqs. (3.5) and (3.6). The associated charges are defined as,

$$N_5^a = \frac{1}{2\kappa_{10}^2 T_{\text{D5}}} \int_{I \times S_2^2} F_3, \quad \hat{N}_5^b = \frac{1}{2\kappa_{10}^2 T_{\text{NS5}}} \int_{\hat{I} \times S_1^2} H_3, \quad (3.10)$$

where the 3-cycles, defined in [58], consist of a shrinking sphere times an interval I or \hat{I} , that semi-circles the position of the singularity at δ_a or $\hat{\delta}_b$. As we discussed, (N_5^a, \hat{N}_5^b) should be identified with the multiplicities (M_r, \hat{M}_r) in the two partitions $\rho, \hat{\rho}$.

Similarly, it is possible to define two Page charges associated to D3 branes, one being the S-dual of the other:

$$N_3^a = \frac{1}{2\kappa_{10}^2 T_{\text{D3}}} \int_{I \times S_1^2 \times S_2^2} [F_5 - B_2 \wedge F_3], \quad \hat{N}_3^b = \frac{1}{2\kappa_{10}^2 T_{\text{D3}}} \int_{\hat{I} \times S_1^2 \times S_2^2} [F_5 + C_2 \wedge H_3]. \quad (3.11)$$

These charges are well defined whenever the potential B_2 or C_2 entering in their expression is well-defined, that is, away from the positions where the NS5 or D5 branes are located.

²This choice of strip is consistent for linear quivers (see [58, 59]).

From these and the previous charges, the linking numbers associated to the D5 and NS5 branes can be determined as [58],

$$l_a = -\frac{N_3^a}{N_5^a} = \frac{2}{\pi} \sum_{b=1}^{\hat{p}} \hat{N}_5^b \arctan(e^{\hat{\delta}_b - \delta_a}), \quad \hat{l}_b = \frac{\hat{N}_3^b}{\hat{N}_5^b} = \frac{2}{\pi} \sum_{a=1}^p N_5^a \arctan(e^{\hat{\delta}_b - \delta_a}). \quad (3.12)$$

As expected, they satisfy

$$N = \sum_{b=1}^{\hat{p}} \hat{N}_5^b \hat{l}_b = \sum_{a=1}^p N_5^a l_a. \quad (3.13)$$

Finally, in [69] a special limit of the general expressions for h_1 and h_2 given in eq. (3.8) was considered. In this limit, the NS5-branes and D5-branes located at the two boundaries of the strip, $\text{Im } z = 0$, $\text{Im } z = \pi/2$, are positioned at infinite values of $\text{Re } z$. This limit will be useful when we discuss the realisation of the non-Abelian T-dual solution as an ABEG geometry. Specifically, it was shown in [69] that if $\delta_a \rightarrow \infty$ and $\hat{\delta}_b \rightarrow -\infty$ one can approximate eq. (3.8) by,

$$\begin{aligned} h_1 &= \sin y \sum_{a=1}^p N_5^a e^{x - \delta_a} + \dots && \text{if } x < \delta_1, \\ &= \sin y \sum_{a=i}^p N_5^a e^{x - \delta_a} + \dots && \text{if } \delta_{i-1} < x < \delta_i, \\ h_2 &= \cos y \sum_{\hat{b}=1}^{\hat{p}} \hat{N}_5^{\hat{b}} e^{\hat{\delta}_{\hat{b}} - x} + \dots && \text{if } x > \hat{\delta}_1, \\ &= \cos y \sum_{\hat{b}=i}^{\hat{p}} \hat{N}_5^{\hat{b}} e^{\hat{\delta}_{\hat{b}} - x} + \dots && \text{if } \hat{\delta}_{i-1} > x > \hat{\delta}_i, \end{aligned} \quad (3.14)$$

where the strip is parameterised by $z = x + iy$. Notice that these expressions still satisfy the boundary conditions in eq. (3.9).

4 The Type IIB $\mathcal{N} = 4$ AdS_4 solution and CFT

After we have discussed the basic ingredients of 3d $\mathcal{N} = 4$ CFTs and their duals, we can go back to our brane configuration, discussed at the end of section 2, and make a concrete proposal for the CFT associated to the brane set-up depicted in figure 2.

Restricting the r direction to lie between zero and $r = (n + 1)\pi$, we have a total number of $n + 1$ NS5-branes (see figure 4). In order to have a field theory that flows to a non-trivial infrared fixed point (see below) we need to add $(n + 1)N_{D5}$ D3-branes ending on the $(n + 1)$ 'th NS5-brane from the right. This is achieved inserting a stack of $(n + 1)N_{D5}$ D5-branes to the right of the $(n + 1)$ 'th NS5-brane, each one connected to this NS5-brane by a D3-brane. In turn, this is equivalent up to a Hanany-Witten move [64] to just taking the n 'th stack of D5-branes with $(2n + 1)k_0 + (n + 1)N_{D5}$ branes. This field theoretical

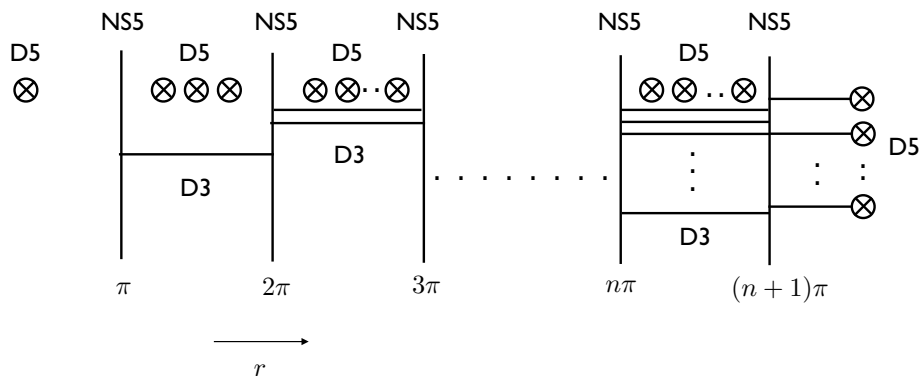


Figure 4. Completed (NS5, D3, D5) brane set-up.

completion of the quiver has the geometric counterpart of making finite the range of the r -coordinate.

Thus, in the notation of ABEG, we have $p = n + 1$ and the multiplicity of D5 branes is,

$$N_5^a = (2a + 1)k_0, \quad a = 0, \dots, n - 1 \quad N_5^n = (2n + 1)k_0 + (n + 1)N_{D5}. \quad (4.1)$$

We can now compute the linking numbers associated to the five branes in the Hanany-Witten set-up. These provide an invariant way of encoding the brane configuration, since they do not change under Hanany-Witten moves. The linking numbers associated to the D5-branes are given by ,

$$l_a = -n_a + R_a^{\text{NS5}}, \quad (4.2)$$

where n_a denotes the net number of D3-branes ending on the a 'th stack of D5-branes and R_a^{NS5} the number of NS5-branes located at its right. For our brane set-up we find,

$$l_a = n + 1 - a \quad \text{for } a = 0, 1, \dots, n. \quad (4.3)$$

From here the total number of D3-branes N , reads

$$\begin{aligned} N &= \sum_{a=0}^n l_a N_5^a = \sum_{a=0}^n (n + 1 - a)(2a + 1)k_0 + (n + 1)N_{D5} \\ &= \frac{k_0}{6}(n + 1)(n + 2)(2n + 3) + N_{D5}(n + 1). \end{aligned} \quad (4.4)$$

Alternatively, we can compute N using the NS5-branes stacks. In this case the linking numbers are computed from,

$$\hat{l}_b = n_b + L_b^{\text{D5}}, \quad (4.5)$$

where n_b denotes once more the net number of D3-branes ending on the b 'th NS5-brane, and L_b^{D5} denotes the number of D5-branes to the left of the b 'th NS5-brane. We find that,

$$\hat{l}_b = N_{D5} + k_0 b^2, \quad b = 1, \dots, n + 1. \quad (4.6)$$

Once can easily check that

$$N = \sum_{b=1}^{n+1} \hat{l}_b N_5^b = \sum_{b=1}^{n+1} \hat{l}_b = \frac{k_0}{6}(n + 1)(n + 2)(2n + 3) + N_{D5}(n + 1), \quad (4.7)$$

as in eq. (4.4). Thus, the $\rho, \hat{\rho}$ partitions associated to the brane configuration in figure 4 read

$$\rho : \quad N = \underbrace{1 + \dots + 1}_{(2n+1)k_0 + (n+1)N_{D5}} + \underbrace{2 + \dots + 2}_{(2n-1)k_0} + \dots + \underbrace{(n+1) + \dots + (n+1)}_{k_0}, \quad (4.8)$$

and

$$\hat{\rho} : \quad N = \underbrace{N_{D5} + (n+1)^2 k_0}_1 + \underbrace{N_{D5} + n^2 k_0}_1 + \dots + \underbrace{N_{D5} + k_0}_1. \quad (4.9)$$

These two partitions define the $T_{\hat{\rho}}^{\hat{\rho}}(\text{SU}(N))$ field theory associated to our brane set-up. Following now the work of ABEG [58] we can read from eq. (4.8) the number of terms, m_l , that are equal or bigger than a given integer l ,

$$m_1 = (n+1)N_{D5} + (n+1)^2 k_0, \quad m_2 = n^2 k_0, \quad \dots, \quad m_n = 4k_0, \quad m_{n+1} = k_0. \quad (4.10)$$

From these, the condition to have a field theory that flows to a non-trivial infrared fixed point, as was conjectured in [63], is,

$$\rho^T \geq \hat{\rho} \iff \sum_{s=1}^i m_s \geq \sum_{s=1}^i \hat{l}_s \quad \forall i = 1, \dots, n+1, \quad (4.11)$$

where for this to hold the \hat{l}_i must be ordered such that $\hat{l}_1 \geq \hat{l}_2 \dots \geq \hat{l}_i$. We will use this notation in the rest of this section. In the present case we have,

$$\sum_{s=1}^i m_s = (n+1)N_{D5} + \sum_{q=n-i+2}^{n+1} q^2 k_0, \quad (4.12)$$

which is strictly larger than

$$\sum_{s=1}^i \hat{l}_s = iN_{D5} + \sum_{q=n-i+2}^{n+1} q^2 k_0, \quad (4.13)$$

for $i = 1, \dots, n$, while

$$\sum_{s=1}^{n+1} m_s = \sum_{s=1}^{n+1} \hat{l}_s. \quad (4.14)$$

The last condition is consistent with the fact that there are k_0 D5-branes in the $[0, \pi]$ interval that are disconnected from the rest of the branes, thus leading to a quiver that breaks into two disconnected components. We can also check that, consistently with our brane set-up in figure 4, the ranks of the gauge groups are given by

$$N_i = \sum_{s=1}^i (m_s - \hat{l}_s) = (n+1-i)N_{D5}, \quad (4.15)$$

and the last gauge group is empty, in agreement with the fact that there are k_0 free hypermultiplets associated to the decoupled k_0 D5-branes. Each of these gauge groups has associated M_j hypermultiplets in the fundamental, with M_j given by,

$$\rho : \quad N = \underbrace{1 + \dots + 1}_{M_1} + \underbrace{2 + \dots + 2}_{M_2} + \dots + \underbrace{(n+1) + \dots + (n+1)}_{M_{n+1}}. \quad (4.16)$$

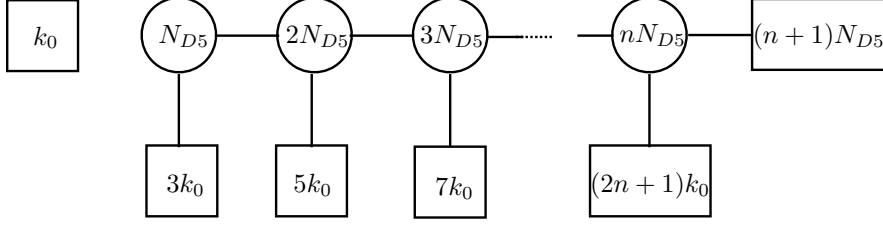


Figure 5. Quiver associated to the (NS5, D3, D5) brane set-up in figure 4.

These can be read from eq. (4.8) in our case. The resulting quiver is represented in figure 5, and we can see that it is fully consistent with the brane configuration in figure 4. We can also check explicitly that

$$M_i + N_{i-1} + N_{i+1} > 2N_i, \quad (4.17)$$

a condition for the quiver to flow towards a superconformal field theory in the infrared [63].

In summary, we have seen that *ending* the Hanany-Witten set-up in figure 2 and *completing* it with flavour branes as in figure 4, lead us to a concrete proposal for a quiver describing a $T_{\rho}^{\hat{\rho}}(\text{SU}(N))$ theory. The charges of the non-Abelian T-dual solution calculated in eq. (2.21) were instrumental in identifying the quiver and its completion. We will now show that the metric and other fields in the non-Abelian T-dual background are also consistent with those associated to the quiver of figure 4. The non-Abelian T-dual geometry will arise as a zooming-in on a particular region of the ABEG [58] solution associated to the $T_{\rho}^{\hat{\rho}}(\text{SU}(N))$ field theory.

5 The Type IIB $\mathcal{N} = 4$ AdS_4 solution as a ABEG geometry

Since the solution that we generated in section 2 preserves $\mathcal{N} = 4$ SUSY, contains an AdS_4 factor and has $SO(4)$ isometry, it is natural to expect that it should fit within the formalism described in section 3.2. Below, we will prove this. We start by redefining,

$$\sigma = -\cos \mu, \quad \beta^2 = \frac{k^2}{L^6}. \quad (5.1)$$

For the non-Abelian T-dual solution in eqs. (2.12)–(2.14), we can calculate,

$$\begin{aligned} \lambda_1^2 &= \frac{r^2}{2\beta^2\Delta}(1-\sigma)(1+\sigma)^2, \quad \lambda_2^2 = \frac{(1-\sigma)^{3/2}}{\sqrt{2}\beta}, \quad \lambda^2 = \frac{\sqrt{2}}{\beta}\sqrt{1-\sigma}, \quad \frac{1}{\bar{\rho}^2} = 2\sqrt{2}\beta\sqrt{1-\sigma}(1+\sigma), \\ b_1 &= \frac{r^3}{\sqrt{2}\beta\Delta}\sqrt{1-\sigma}(1+\sigma) - n\pi, \quad b_2 = c_0 + \frac{k}{4}\left(r^2 + \frac{\sigma(\sigma^2-3)}{\beta^2}\right), \quad z = \sigma + i\beta r, \\ e^{2\Phi} &= \frac{2\sqrt{2}}{k^2\beta\Delta}(1-\sigma)^{3/2}, \quad \Delta = \frac{1}{\sqrt{2}\beta^3}\sqrt{1-\sigma}(1+\sigma)\left(\beta^2 r^2 + \frac{(1-\sigma)(1+\sigma)^2}{2}\right), \end{aligned} \quad (5.2)$$

where $d(c_0) = 0$ and the $n\pi$ comes from the contribution to B_2 of n large gauge transformations. From this we find that the functions in eqs. (3.5)–(3.6) read,

$$N_1 = \frac{rk^3\Delta}{64\sqrt{2-2\sigma}\beta^3}, \quad N_2 = \frac{kr(1-\sigma)}{32\beta^4}, \quad W = -\frac{kr}{16\beta^2}, \quad X = -\frac{k}{16\beta^3}(1+\sigma), \quad (5.3)$$

$$h_1 = \frac{kr(1+\sigma)}{4\beta}, \quad h_2 = \frac{1-\sigma}{2\beta}, \quad h_1^D = -\frac{k(1-(2+\sigma)\sigma)+(4c_0+kr^2)\beta^2}{8\beta^2}, \quad h_2^D = \frac{1}{2}(r-n\pi).$$

Notice that the functions h_1, h_2 are harmonic. As established in [62], this implies that the equations of motion of Type IIB Supergravity are satisfied. Also, note that the definition of h_2^D in each $n\pi < r < (n+1)\pi$ cell implies it is a piecewise periodic function such that $0 < h_2^D < \pi/2$.

Thus, we have shown that the solution generated by non-Abelian T-duality — eqs. (2.12)–(2.14), fits within the class of solutions discussed in eqs. (3.4)–(3.7). It is worth stressing nevertheless that it does not satisfy the boundary conditions in eq. (3.9) — nor does it show any of the *isolated* singularities than can be associated to the positions $(\delta, \hat{\delta})$, of the D5 and NS5 branes. This suggests that the solution generated by non-Abelian T-duality could be thought of as a *limit* of the generic solutions in eqs. (3.4)–(3.7), along the lines of eqs. (3.14). We next study this in detail.

Let us start by computing the positions of the D5 and NS5 brane stacks associated to our brane configuration in figure 4. As explained in [58] and summarised in section 3.2, these positions can be computed from,

$$l_a = \frac{2}{\pi} \sum_{b=1}^{\hat{p}} \hat{N}_5^b \arctan(e^{\hat{\delta}_b - \delta_a}) \quad \hat{l}_b = \frac{2}{\pi} \sum_{a=1}^p N_5^a \arctan(e^{\hat{\delta}_b - \delta_a}).$$

These equations are simply solved by

$$e^{\hat{\delta}_b - \delta_a} = \tan\left(\frac{\pi l_a \hat{l}_b}{N}\right). \quad (5.4)$$

Using eqs. (4.3) and (4.6) this gives for our brane set-up

$$\hat{\delta}_b - \delta_a = \log\left[\tan\left(\frac{\pi}{2N}(n+1-a)(N_{D5} + k_0 b^2)\right)\right], \quad (5.5)$$

with N given by eq. (4.4).

Recalling that we read the charges of our brane configuration from the supergravity solution, we expect to find a sensible solution to eq. (5.5) in the supergravity limit $N_{D5} \rightarrow \infty$. Taking this limit we find,

$$\hat{\delta}_b - \delta_a = \log\left[\tan\left(\frac{\pi}{2}\left(1 - \frac{a}{n+1}\right)\right)\right] \quad (5.6)$$

which shows that in this limit all stacks of NS5-branes can be approximately taken at the same position $\hat{\delta}$. Equivalently, we can write eq. (5.6) as

$$\delta_a - \hat{\delta} = \log\left[\tan\left(\frac{\pi a}{2(n+1)}\right)\right]. \quad (5.7)$$

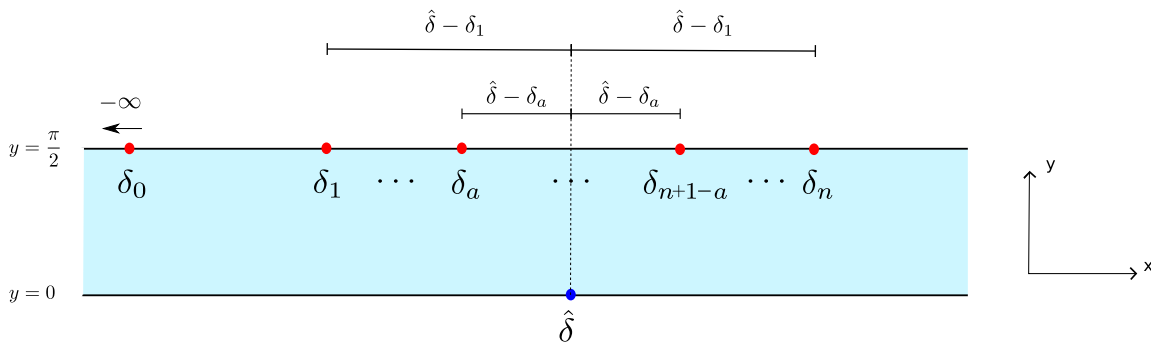


Figure 6. Positions of D5 and NS5 branes in the supergravity limit. In this limit the set-up becomes symmetric around $\hat{\delta} = \delta_{(n+1)/2}$, with the exception of the detached stack of D5-branes at $\delta_0 = -\infty$.

From here we see that the first stack of (detached) k_0 D5-branes lies strictly at $\delta_0 - \hat{\delta} = -\infty$, while the rest of stacks lie symmetrically at both sides of the NS5-branes, given that

$$\log \left[\tan \left(\frac{\pi c}{2(n+1)} \right) \right] = -\log \left[\tan \left(\frac{\pi a}{2(n+1)} \right) \right] \quad \text{for } c = n+1-a. \quad (5.8)$$

Thus,

$$\delta_1 - \hat{\delta} = \hat{\delta} - \delta_n, \quad \delta_2 - \hat{\delta} = \hat{\delta} - \delta_{n-1}, \quad \dots, \quad \hat{\delta} = \delta_{(n+1)/2}. \quad (5.9)$$

This brane distribution is depicted in figure 6. Let us now obtain the h_1, h_2 functions associated to this configuration, following [58, 59].

In the supergravity limit the main contribution to h_1 in eq. (3.8) comes from the n 'th stack, given that the number of branes in this stack goes with N_{D5} as shown by eq. (4.1). We can then approximate,

$$h_1 \sim -\frac{1}{4} N_5^n \log \tanh \left(\frac{i\frac{\pi}{2} + \delta_n - z}{2} \right) + cc. \quad (5.10)$$

For h_2 we have in turn

$$h_2 \sim -\frac{1}{4} (n+1) \log \tanh \left(\frac{z - \hat{\delta}}{2} \right) + cc. \quad (5.11)$$

Choosing

$$\delta_n = -\hat{\delta} = -\frac{1}{2} \log \left[\tan \left(\frac{\pi}{2(n+1)} \right) \right], \quad (5.12)$$

the n 'th stack of D5-branes lies approximately at plus infinity for large n while the stack of NS5-branes lies approximately at minus infinity. For finite x we can then use the approximate expressions for h_1, h_2 in eq. (3.14) to produce,

$$\begin{aligned} h_1 &\sim \sin y N_5^n e^{x-\delta_n} \sim \sin y N_{D5} \sqrt{\frac{\pi(n+1)}{2}} e^x, \\ h_2 &\sim \cos y (n+1) e^{\hat{\delta}-x} \sim \cos y \sqrt{\frac{\pi(n+1)}{2}} e^{-x}, \end{aligned} \quad (5.13)$$

where we have approximated $\delta_n = -\hat{\delta} \sim -\frac{1}{2} \log \left[\left(\frac{\pi}{2(n+1)} \right) \right]$ for large n . Close to $y = 0$, $x = 0$ we have,

$$\begin{aligned} h_1 &\sim y N_{D5} \sqrt{\frac{\pi(n+1)}{2}} (1+x), \\ h_2 &\sim \sqrt{\frac{\pi(n+1)}{2}} (1-x). \end{aligned} \tag{5.14}$$

Let us now compare these expressions with those of our non-Abelian T-dual solution. Taking the functions h_1, h_2 for this solution from eq. (5.3),

$$\begin{aligned} h_1 &= \frac{kr(1+\sigma)}{4\beta}, \\ h_2 &= \frac{1-\sigma}{2\beta}, \end{aligned} \tag{5.15}$$

we find that they agree with eq. (5.14) if we identify $x = \sigma$ and

$$\frac{1}{2\beta} \sim \sqrt{\frac{\pi(n+1)}{2}}, \quad r \sim \frac{2}{k} N_{D5} y. \tag{5.16}$$

Taking into account that $\beta = k/L^3$, and $N_{D5} = L^6/(\pi k)$, these are equivalent to

$$N_{D5} \sim 2k(n+1), \quad r \sim 4(n+1)y. \tag{5.17}$$

The output of this analysis is that the non-Abelian T-dual solution comes out when zooming into the region $x = y = 0$ of the ABEG solution associated to the brane set-up in section 4. Further, we have shown that in order to match these solutions n must go to infinity as N_{D5}/k , which is consistent with the fact that n is unbounded in the non-Abelian T-dual solution. Note however that this limit should be taken directly in equation (5.5) for consistency of the previous analysis. We have checked numerically that the matching between the non-Abelian T-dual solution and the ABEG geometry still holds in this limit in the region $x \sim 0, y \sim 0$. In this matching we must have $\sigma \sim x, r \sim 4(n+1)y$. Therefore, σ , which in the non-Abelian T-dual solution ranges in $[-1, 1]$, must be small. The coordinate r in turn, may cover a finite region depending on how the $y \rightarrow 0$ limit is taken in the expression above, which is unspecified in our analysis.

The previous agreement suggests that we may see the ABEG solution as a *completion* of the non-Abelian T-dual geometry, that: i) Extends it to $-\infty < \sigma < \infty$, such that the singularities in $\sigma = \pm 1$ are moved to $\pm\infty$, and thus resolved, and ii) Delimits r to a bounded region. This is shown pictorially in figure 7. It is interesting that this completion makes explicit the ideas in [44], where a completion of the non-Abelian T-dual of $AdS_5 \times S^5$ as a superposition of Maldacena-Nunez geometries was outlined.

6 Free energy

The authors of reference [69] computed the free energy of some specific examples of $T_{\rho}^{\hat{\rho}}(\text{SU}(N))$ field theories, both directly in the field theory as well as using holography.

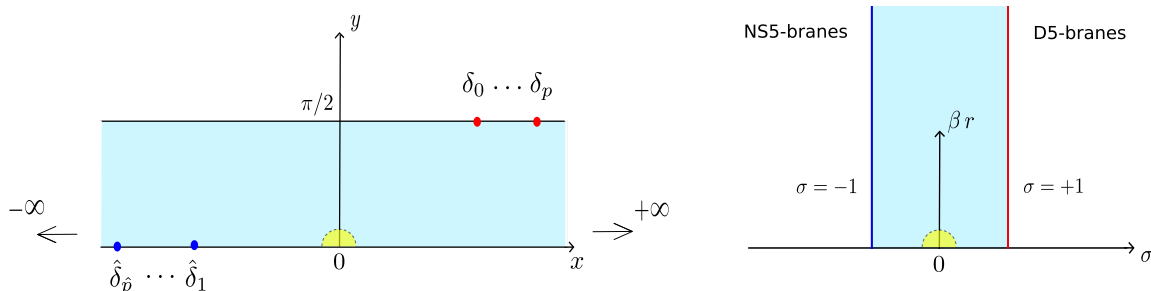


Figure 7. The ABEG set-up in the limit in which the NS5-branes are placed at $-\infty$ and the D5-branes at $+\infty$ (left). The non-Abelian T-dual set-up, with $\sigma \in [-1, 1]$, $r \in [0, +\infty)$, with smeared NS5-branes at $\sigma = -1$ and smeared D5-branes at $\sigma = +1$ (right). The matching of the solutions occurs locally around $x, y \sim 0$. The *completion* of the non-Abelian T-dual geometry is achieved extending σ to $\pm\infty$ and bounding r to an interval. In this completion the NS5-branes are localised at $-\infty$ and the D5-branes at $+\infty$.

This free energy was shown to exhibit a $\frac{1}{2}N^2 \log N$ behaviour at leading order. Further, it was argued that this value should provide an upper bound to the free energy of any, more general, $T_\rho^\hat{\rho}(\text{SU}(N))$ field theory.

In this section we compute the free energy associated to the non-Abelian T-dual solution and compare it to that of the completed ABEG geometry. We show that, as expected, the free energies do not agree, consistently with the fact that the non-Abelian T-dual geometry approximates the ABEG geometry only in a small patch. On the contrary, this calculation shows explicitly how the completion of the non-Abelian T-dual geometry leads to a sensible value for the free energy of the dual $T_\rho^\hat{\rho}(\text{SU}(N))$ field theory that is in consonance with previous results in the literature and satisfies the bound found in [69].

We will use the conventions in [69]. In this reference the free energy is computed from

$$S_{\text{eff}} = \frac{1}{2^4 \pi^5} \text{Vol}_6, \quad (6.1)$$

where Vol_6 is the volume of the six dimensional internal space, which can be calculated from the functions h_1, h_2 , defined in the 2d manifold Σ_2 as,

$$\text{Vol}_6 = 32(4\pi)^2 \int_{\Sigma} d^2x (-W) h_1 h_2. \quad (6.2)$$

We first use this expression to compute the free energy associated to the non-Abelian T-dual solution. In this case we find,

$$h_1 h_2 = \frac{k}{8\beta^2} r(1 - \sigma^2), \quad W = -\frac{kr}{16\beta^2}, \quad (6.3)$$

and

$$\text{Vol}_6 = 32(4\pi)^2 \frac{k^2}{2^7 \beta^4} \int_{\Sigma} r^2 (1 - \sigma^2) \beta dr d\sigma. \quad (6.4)$$

Here we have used that the differential area of the strip is $d\Sigma = \beta dr d\sigma$. Integrating $r \in [0, (n+1)\pi]$ and $\sigma \in [-1, 1]$ we find

$$S_{\text{eff}} = \frac{\pi^{3/2}}{9} \sqrt{k} N_{\text{D5}}^{3/2} (n+1)^3. \quad (6.5)$$

As in previous non-Abelian T-duals of AdS backgrounds, this free energy exhibits the same behaviour, in this case as $\sqrt{k}N^{3/2}$, of the original AdS background, multiplied by a power of $(n + 1)$ coming from the NS5-branes.

Let us now analyse the “Abelian T-dual limit” of this expression. This limit was first discussed in [44] at the level of the central charges. It was shown that the central charge (and the free energy) of the SU(2) non-Abelian T-dual of $AdS_5 \times S^5$ and that of its Abelian T-dual counterpart³ exactly match if r is taken in a $r \in [n\pi, (n + 1)\pi]$ interval and n is sent to infinity. In this limit both metrics do in fact fully agree. We have presented a detailed analysis of this limit in appendix A for the present AdS_4 non-Abelian T-dual solution and its Abelian T-dual counterpart (see also appendix B). Borrowing the result for the free energy of the Abelian T-dual solution we can show that it fully agrees with the free energy of the non-Abelian solution for $r \in [n\pi, (n + 1)\pi]$ and $n \rightarrow \infty$.

Indeed, integrating $r \in [n\pi, (n + 1)\pi]$, $\sigma \in [-1, 1]$ in eq. (6.4) and taking the $n \rightarrow \infty$ limit, we find

$$S_{\text{eff}} = \frac{\pi^{3/2}}{3} \sqrt{k} N_{D5}^{3/2} n^2. \tag{6.6}$$

Using now that $N_{D3} = nN_{D5}$ for the non-Abelian solution and that in the large n limit $k_{D5} = nk\pi/2$, as implied by the second expression in eq. (2.21), eq. (6.6) can be rewritten as

$$S_{\text{eff}} = \frac{\sqrt{2}\pi}{3} \sqrt{k_{D5}} N_{D3}^{3/2}. \tag{6.7}$$

One can see that this result matches exactly the free energy of the Abelian T-dual background, given by eq. (A.12). As stressed in [44], this calculation shows that non-Abelian T-duality in an interval of length π corrects the Abelian T-duality calculation by $1/n$ terms. In our present set-up this provides a non-trivial check of the validity of expression (6.4).

Let us now compare the free energy of the full non-Abelian solution, given by eq. (6.5), to the free energy computed from the completed ABEG geometry. As shown in [69] the approximated expressions given by (3.14) are enough to capture the leading order behaviour. Using then these approximated expressions for h_1, h_2 for our particular ABEG geometry, given by eqs. (5.13), we can write $h_1 h_2 \sim \frac{1}{2} \sin 2y N_{D5} (n + 1)^2 e^{-2\delta_n}$ and

$$W = \frac{1}{4} \frac{\partial^2}{\partial y^2} (h_1 h_2) = -h_1 h_2. \tag{6.8}$$

The internal volume then reads,

$$\text{Vol}_6 = 16 (4\pi)^2 N_{D5}^2 (n + 1)^4 e^{-4\delta_n} \int_0^{\frac{\pi}{2}} dy \sin^2 2y \int_{\delta}^{\delta_n} dx, \tag{6.9}$$

which gives to leading order,

$$\text{Vol}_6 = 16\pi^5 N_{D5}^2 (n + 1)^2 \log(n + 1), \tag{6.10}$$

³Namely, the result of T-dualising the original $AdS_5 \times S^5$ background along the Hopf fibre of the S^3 in the internal space.

and finally,

$$S_{\text{eff}} = N_{\text{D5}}^2 (n+1)^2 \log(n+1). \tag{6.11}$$

We thus see that the free energy of the $T_{\rho}^{\hat{\rho}}(N)$ theory associated to our configuration exhibits a similar logarithmic behaviour to that of the examples discussed in [69]. As in those examples, the logarithm comes holographically from the size of the configuration. In our case it depends however on the number of NS5-branes, rather than on the number of D3-branes. Interestingly, taking into account the relation between N and n , given by eq. (4.4), the free energy given by eq. (6.11) satisfies the $\frac{1}{2}N^2 \log N$ bound suggested in [69] for the free energy of general $T_{\rho}^{\hat{\rho}}(N)$ field theories. This is to our knowledge the first check in the literature of the conjecture in [69].

We would like to note that for our particular $T_{\rho}^{\hat{\rho}}(N)$ theory, there is no field theoretical computation in the literature, along the lines of [70, 71], with which we could compare our holographic result. Indeed, the scaling limit taken in the field theory computation in [69], given by

$$N_5^a = N^{1-\kappa_a} \gamma_a; \quad l_a = N^{\kappa_a} \lambda_a, \tag{6.12}$$

with $0 \leq \kappa_a < 1$ and $\sum_{a=1}^p \gamma_a \lambda_a = 1$, is not fulfilled by our configuration, for which only $\kappa_n = 0$ is well-defined. The reason we avoid this scaling is that there is a further N dependence in the number p that appears in $N = \sum_{a=1}^p N_5^a l_a$, as compared to the situation considered in [69]. It would be interesting to extend the field theory calculation in [69] to cover the present, more general, set-up, and check if the result matches the holographic computation.

As we have previously mentioned, we can see quite explicitly from the calculation of the free energy how the non-Abelian T-dual solution is completed by the ABEG geometry. Indeed, taking into account the different parametrisation of the strip in the non-Abelian T-dual solution, $d\Sigma = \beta dr d\sigma$, and in the ABEG solution, $d\Sigma = dx dy$, and doing the *completions*

$$\int_{-1}^1 (1 - \sigma^2) d\sigma \rightarrow \int_{\hat{\delta}}^{\delta_n} e^x e^{-x} dx, \tag{6.13}$$

and

$$\beta \int_0^{(n+1)\pi} r^2 dr \rightarrow 2(n+1)^2 \int_0^{\pi/2} \sin^2 2y dy, \tag{6.14}$$

which extend in a particular way the relations $\sigma \sim x$, $r \sim 4(n+1)y$, valid in the $x, y \sim 0$ region, we can recover exactly the free energy associated to the ABEG solution, given by eq. (6.11), from that of the non-Abelian T-dual solution. In this completion the logarithm is associated to the infinite extension of the configuration in the x direction, which is what allows us to send the singularities in $\sigma = \pm 1$ to $\pm\infty$. Note that the completion changes as well, and quite dramatically, the $\sqrt{k} N_{\text{D5}}^{3/2} (n+1)^3$ scaling of the free energy of the non-Abelian T-dual solution into the $N_{\text{D5}}^2 (n+1)^2$ scaling associated to the ABEG geometry. Interpreting the behaviour of the free energy of AdS backgrounds generated through non-Abelian T-duality has remained an interesting open problem in the non-Abelian duality literature. Indeed, in all examples analysed so far the free energy of the non-Abelian T-dual was simply that of the original background corrected by a factor of $(n+1)$ to some power,

associated to the NS5-branes. One was thus led to interpret that non-Abelian T-duality was not changing too much the field theory. Instead, the detailed calculation done in the present example shows that the completion needed to correctly define the dual CFT can change this behaviour quite significantly.

To summarise, we have shown that expressions (6.13), (6.14) inform us about the precise way in which the non-Abelian T-dual solution must be *completed* in order to describe holographically a $T_{\rho}^{\hat{\rho}}(\text{SU}(N))$ theory:

- Expression (6.13) shows that the interval $\sigma \in [-1, 1]$ must be extended to $\sigma \in (-\infty, \infty)$. The two singularities at $\sigma = \mp 1$ are then moved to infinity such that a perfectly smooth background remains.
- Expression (6.14) informs us about how precisely the non-compact direction of the non-Abelian T-dual solution must be bounded.

Our AdS_4 example thus provides a new AdS background in which the CFT dual can be used to define the geometry, in complete analogy with the AdS_5 case discussed in [44]. It also shows that the completion can significantly change the scaling of the free energy, and thus the CFT. This may shed some light on the possible interpretation of the behaviour of the free energy under non-Abelian T-duality.

7 Summary and conclusions

Let us start by summarising the contents of this paper. Then we will present some ideas for future work and comment on open problems that our results suggest.

We started by constructing a new solution to the Type IIB equations of motion. This new background consists of an AdS_4 factor and two spheres S_1^2, S_2^2 , fibered on a Riemann surface $\Sigma(z, \bar{z})$. A dilaton, NS three form and Ramond three and five forms complete it. The system preserves sixteen supercharges and is obtained acting with non-Abelian T-duality on the dimensional reduction of $AdS_4 \times S^7$ to Type IIA. Both the original type IIA and its type IIB counterpart are singular. An important achievement of this paper is to understand the way of completing the geometry so that the only remaining *isolated* singularities are associated with brane sources. Global aspects of the geometry have also been understood thanks to this completion.

The procedure that we used to achieve these results can be summarised as follows. The study of the Page charges in section 2, suggested the brane distribution and Hanany-Witten set-up. The isometries of the background indicated the global symmetries of the dual field theory and the same goes for the amount of preserved SUSY. These data constrained our system in an important way, and suggested the way in which the Hanany-Witten set up, that in principle is *unbounded*, can be *completed* (hence *closed*) by the addition of flavour branes. This completion, shown explicitly comparing figure 4 with figure 2, is needed in order to define the partitions from which the $T_{\rho}^{\hat{\rho}}(\text{SU}(N))$ dual theory can be read. The position (in theory space) where this completion takes place is arbitrary and determines the parameters of the dual field theory. From here, the knowledge of the associated field

theory, that in this case flows to a conformal fixed point, is constraining enough to allow us to write a precise completed Type IIB background in terms of a couple of holomorphic functions defined on a Riemann surface. This background describes an intersection of D3-D5-NS5 branes, and is smooth, except at the isolated positions of the five brane sources. Then, we discussed how a particular zoom-in on a region of the completed background gives place to the original Type IIB solution obtained by non-Abelian T-duality. Finally, our calculation of the free energy showed explicitly that this completion produces a sensible result for the free energy of the associated $T_p^{\hat{p}}(\text{SU}(N))$ field theory, satisfying the upper bound $\frac{1}{2}N^2 \log N$ found in [69]. This result suggests that there could be a scaling in the field theory side that reproduces our gravitational result.

A couple of points are crucial in the previous summary. On the one hand we have assumed that the fluxes capture faithfully the brane distribution (except, of course, for the completion with flavour branes). This has allowed us to suggest a Hanany-Witten set-up and to calculate (after completing it) the linking numbers that select the particular CFT. On the other hand, the fact that we are using field theory knowledge to smooth out a supergravity background is quite original and key to our procedure.

Interestingly, our approach has also allowed us to find out about global properties, in particular about the range of the r -coordinate (which is one of the long-standing problems of the whole non-Abelian T-duality formalism). It also gives a clean way of resolving or interpreting singularities in terms of sources. This is particularly nice since the presence of these sources is a consequence of the flavour symmetry on the field theory side, that also reflects in the completed quiver. A circle of ideas closes nicely.

What remains to be done (for this particular system and more generally)?

The proposed picture of intersecting Dp - $D(p+2)$ -NS5 branes associated with an AdS_{p+1} background should be tested in detail. For this, a more complete case-by-case study is needed. Examples with different dimensionality might reveal new subtleties, that in the present study or in that of [44] do not show. In particular, it is clear that backgrounds with AdS_6 and AdS_3 factors should be studied following the ideas presented here. Progress should be possible in cases with less SUSY and smaller isometry groups.

In relation to the present AdS_4/CFT_3 case, it would be interesting to investigate Wilson loops, vortex operators [72] and other subtle CFT aspects — see for example [73–75], to understand, in particular, how our solutions capture these fine-points. The study of the spectrum of glueballs and mesons using our backgrounds (both the one obtained via non-Abelian T-duality and the completed one) is also of potential interest to learn about the nature of the duality. It would also be interesting to understand the geometric realisation of the decoupled flavour group in the quiver associated to our completed geometry

More generally, it would be very interesting to find out a precise answer for what is the effect of a non-Abelian T-duality transformation at the CFT level. In our example we started with a background dual to a CFT with one node and adjoint matter, to which we associated (after a non-Abelian T-duality transformation) a quiver containing a large number of colour and flavour groups. But, how precisely did we go from one quiver to the other? Is an ‘unhiggsing’ at work, or is the non-Abelian T-duality a genuine non-field

theoretical operation? For a quite particular case of non-Abelian T-duality transformation, some progress was recently reported in [76].

Finally, it would be very nice if the ideas developed in this work could be used to answer deep questions about the nature of non-Abelian T-duality in String theory. For example, its invertibility, or the character of the genus and α' -expansions. We have given some evidence that the AdS/CFT correspondence can be very useful also in this regard.

Acknowledgments

Some colleagues contributed with discussions and clarifications that are reflected in this paper. For these, we thank Benjamin Assel, Georgios Itsios, Diego Rodríguez-Gomez, Daniel Thompson, Salomón Zacarías.

N.T.M. is supported by INFN and by the European Research Council under the European Union’s Seventh Framework Program (FP/2007-2013) — ERC Grant Agreement n. 307286 (XD-STRING). Y.L. and J.M. are partially supported by the Spanish and Regional Government Research Grants FPA2015-63667-P and FC-15-GRUPIN-14-108. J.M. is supported by the FPI grant BES-2013-064815 of the Spanish MINECO. This work has been partially supported by the EU-COST Action MP1210, in particular through a Short Term Scientific Mission of J.M. to Swansea U. Y.L. and J.M. would like to thank the Physics Department of Swansea U. for the warm hospitality. C. Nunez is Wolfson Fellow of the Royal Society.

A The Abelian T-dual limit

In this appendix we summarise the key properties of the $\mathcal{N} = 4$ AdS_4 type IIB solution that is generated from the IIA solution in equation (2.8) by T-duality along the Hopf direction of S_1^3 . This solution, dual to a circular quiver, was discussed at length in [59]. Here we recall its more relevant properties in the notation used in this paper. We show that it emerges as the $r \rightarrow \infty$ limit of the non-Abelian T-dual solution in section 2 (see appendix B). In this limit the free energies of both solutions also agree, as shown in section 6.

A.1 The solution

The Abelian T-dual of the IIA solution in equation (2.8) along the Hopf direction of S_1^3 reads:

$$\begin{aligned}
 ds_{\text{IIB}}^2 = e^{\frac{2}{3}\phi_0} \cos\left(\frac{\mu}{2}\right) & \left[ds^2(AdS_4) + L^2 \left(d\mu^2 + \frac{k^2}{L^6 \sin^2(\mu)} dr^2 + \cos^2\left(\frac{\mu}{2}\right) ds^2(S_2^2) \right) \right] \\
 + \frac{L^3}{k} \sin\left(\frac{\mu}{2}\right) \sin(\mu) ds^2(S_1^2), & \quad B_2 = \cos\theta_1 d\phi_1 \wedge dr, \quad e^{2\Phi} = \frac{e^{4\phi_0/3}}{L^2 \tan^2\left(\frac{\mu}{2}\right)}.
 \end{aligned}
 \tag{A.1}$$

Since we dualise on the Hopf fibre $0 < \psi_1 < 4\pi$, we have $0 < \tilde{\psi}_1 < \pi$.⁴ To ease notation we choose to label $\tilde{\psi}_1 = r$, as we have a similar coordinate in the non-Abelian T-dual case

⁴Recall that the periodicity of the Abelian T-dual coordinate is fixed by the condition $\int d\psi_1 \wedge d\tilde{\psi}_1 = (2\pi)^2$.

of section 2, here though we stress that it is compact. Additionally this background is supported by the gauge invariant RR fluxes

$$F_3 = \frac{k}{2} dr \wedge \text{Vol}(S_2^2), \quad F_5 = -\frac{3}{L} dr \wedge \text{Vol}(AdS_4) + \frac{3L^6}{4k} \sin^3(\mu) d\mu \wedge \text{Vol}(S_2^1) \wedge \text{Vol}(S_2^2). \quad (\text{A.2})$$

As observed in [43, 44] for other AdS backgrounds (see appendix B for a general analysis), this solution arises in the $r \rightarrow \infty$ limit of the non-Abelian T-dual solution derived in section 2. This is straightforward for the metric and the NS-NS 2-form,⁵ while the dilatons differ by an r^2 factor that accounts for the different integration measures in the partition functions of the Abelian and non-Abelian T-dual σ -models, as explained in [44]. The RR sector, even if the fields are different (see appendix B), yields to the same quantised charges, as we show below. Finally, in order to match both solutions globally, r must live in an interval of length π , $r \in [n\pi, (n+1)\pi]$, with $n \rightarrow \infty$. It is indeed in this limit in which there is precise agreement between the corresponding free energies.

The Abelian T-dual solution is also $\mathcal{N} = 4$ supersymmetric, as discussed in section 2, and has two singularities. The first singularity at $\mu = \pi$ is inherited from the stack of D6 branes in IIA. Indeed, one finds that for $\mu \sim \pi$

$$ds^2 \sim \frac{e^{2\phi_0/3}}{2} \left[\sqrt{\nu} (ds^2(AdS_4) + L^2 ds^2(S_1^2)) + \frac{L^2}{4\sqrt{\nu}} (d\tilde{r}^2 + d\nu^2 + \nu^2 ds^2(S_2^2)) \right], \quad e^\Phi \sim \frac{e^{2\phi_0/3}}{2L} \sqrt{\nu} \quad (\text{A.3})$$

which is the metric close to flat space smeared D5's, where we have defined $\tilde{r} = 4e^{-2\phi_0/3}/L^2 r$ and $\nu = (\pi - \mu)^2$. The second singularity at $\mu = 0$ is caused by NS5 branes localised there, wrapping S_2^2 and smeared along r . This is a generic result of T-dualising on the Hopf fibre of a 3-sphere with vanishing radius. Close to $\mu = 0$ one finds the metric (now $\nu = \mu^2$)

$$ds^2 \sim e^{2\phi_0/3} \left[ds^2(AdS_4) + L^2 ds^2(S_2^2) + \frac{L^2}{4\nu} (d\tilde{r}^2 + d\nu^2 + \nu^2 ds^2(S_1^2)) \right], \quad e^\Phi \sim \frac{2e^{2\phi_0/3}}{L\sqrt{\nu}}, \quad (\text{A.4})$$

as expected.

The Page charges of this solution are given by

$$\begin{aligned} N_{D3} &= \frac{1}{2\kappa_{10}^2 T_3} \int_{\Xi_2} (F_5 - B_2 \wedge F_3) = \frac{N_{D2}}{2}, \\ k_{D5} &= \frac{1}{2\kappa_{10}^2 T_5} \int F_3 = \frac{k}{2}, \\ N_{NS5} &= \frac{1}{2\kappa_{10}^2 T_{NS5}} \int_{(r, S_1^2)} H_3 = 1, \end{aligned} \quad (\text{A.5})$$

where $\Xi_1 = (r, S_2^1, S_2^2)$, $\Xi_2 = (\mu, S_2^1, S_2^2)$ and we keep L defined as it was for IIA in eq (2.11). The factors of 2 in k_{D5} , N_{D3} originate from the different periodicities of the original and T-dual variables. They are usually absorbed through a redefinition of Newton's

⁵Note that B_2 arises in the gauge $B_2 = r \text{Vol}(S_1^2)$ in the Abelian T-dual.

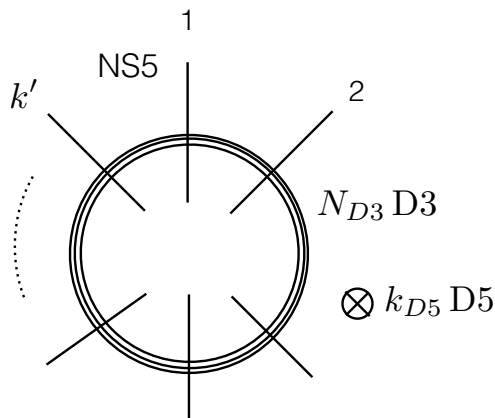


Figure 8. Brane set-up for the Abelian T-dual of the IIA reduction of $AdS_4 \times S^7 / (\mathbb{Z}_k \times \mathbb{Z}_{k'})$. At each interval there are N_{D3} D3-branes stretched between the NS5-branes and $k_{D5} = k/2$ transverse D5-branes.

constant. Comparing these charges with those of the non-Abelian T-dual solution, given in expressions (2.18), (2.21), we find that

$$N_{D3}^{\text{NATD}} = n\pi N_{D3}^{\text{ATD}}, \quad k_{D5}^{\text{NATD}} = n\pi k_{D5}^{\text{ATD}}. \tag{A.6}$$

This same rescaling was found in [44] in the matching between the Abelian and non-Abelian T-dual AdS_5 spaces studied in that paper. As discussed there, the $n\pi$ factor can again be safely absorbed through a redefinition of Newton’s constant. We give further details of the general relationship between T-dual and non-Abelian T-dual solutions in appendix B.

A simple generalisation is to allow $0 < r < k'\pi$, which is equivalent to taking the T-dual of the IIA reduction of the $AdS_4 \times S^7 / (\mathbb{Z}_k \times \mathbb{Z}_{k'})$ orbifold. In that case $N_{NS5} = k'$. The solution described in [59] corresponds to this situation. Its CFT dual consists of a circular quiver associated to a set of N_{D3} D3-branes, with N_{D3} as in (A.5), stretched between k' NS5-branes, as illustrated in figure 8. These D3-branes are thus winding D3-branes. At each interval of length π there are also k_{D5} D5-branes. The field theory associated to this brane configuration was studied in [59] and denoted as $C_{\hat{\rho}}^{\hat{\rho}}(SU(N), L)$, with the positive integer L referring to the number of winding D3-branes. These theories degenerate to the $T_{\hat{\rho}}^{\hat{\rho}}(SU(N))$ theories of [63] when $L = 0$. In the next subsection we illustrate the connection between the solution in [59] for $k' = 1$ and the Abelian T-dual solution under discussion. The value $k' = 1$ corresponds to the limiting case of N_{D3} D3-branes stretched between two NS5-branes that are identified.

A.2 Connection with ABEG geometries

As in the case of the non-Abelian T-dual solution, we expect that the Abelian T-dual, which also preserves $\mathcal{N} = 4$ SUSY, contains an AdS_4 factor and has $SO(4)$ isometry, fits within the formalism described in section 3.2. Indeed, from eqs. (A.1), (A.2) we can read

off the values

$$\lambda_1^2 = \frac{\sqrt{(1-\sigma)(1+\sigma)}}{\sqrt{2}\beta}, \quad \lambda_2^2 = \frac{(1-\sigma)^{3/2}}{\sqrt{2}\beta}, \quad \lambda^2 = \frac{\sqrt{2}\sqrt{1-\sigma}}{\beta}, \quad \frac{1}{\rho^2} = 2\sqrt{2}\beta\sqrt{1-\sigma}(1+\sigma),$$

$$b_1 = r - n\pi, \quad b_2 = \frac{k}{2}r + c_0, \quad z = \sigma + i\beta r, \quad e^{2\Phi} = 4\frac{1-\sigma}{k^2(1+\sigma)}, \quad (\text{A.7})$$

where $d(c_0) = 0$ and β and σ are defined as in section 5. In terms of the classification we find that the T-dual solution is given by

$$N_1 = \frac{k^3}{128\beta^4}(1+\sigma), \quad N_2 = \frac{k}{32\beta^4}(1-\sigma), \quad W = -\frac{k}{16\beta^2}, \quad X = 0, \quad (\text{A.8})$$

$$h_1 = \frac{k}{4\beta}(1+\sigma), \quad h_2 = \frac{1}{2\beta}(1-\sigma), \quad h_1^D = -\frac{1}{2}\left(c_0 + \frac{k}{2}r\right), \quad h_2^D = \frac{1}{2}r.$$

As discussed in [59], this solution does not fit however within the Ansatz of [58]. Clearly, even if there are NS5 and D5 branes located at $\sigma = \mp 1$, which could be taken as boundaries of an infinite strip, the branes are smeared in r by construction, and h_1, h_2 do not exhibit logarithmic singularities at the locations of the branes. The authors of [58] showed in [59] how to solve this problem. They considered a distribution $(\delta_a, \hat{\delta}_b)$ of 5-branes that is repeated infinitely-many times along the strip with a period $2t$, such that $\delta_{a+p} - \delta_a = \hat{\delta}_{b+\hat{p}} - \hat{\delta}_b = 2t$, where p and \hat{p} are, correspondingly, the total numbers of D5 and NS5-branes stacks. The resulting h_1, h_2 are, by construction, periodic under $z \rightarrow z + 2t$. This allows for the identification of points separated by the period $2t$, thus turning the strip into an annulus (and thus the linear quiver into a circular quiver) in the $e^{i\pi z/t}$ plane, with NS5 (D5) brane stacks along the inner (outer) boundaries. The smearing of the branes comes out as a result of taking the limit $t \rightarrow 0$ combined with a far-from-the-boundaries approximation. h_1 and h_2 become then independent of r and non-singular.

The introduction of the period $2t$ on the gravity side induces the winding D3-branes on the dual quiver, in a way that we specify below. These branes do not end on the 5-branes and therefore do not contribute to the linking numbers. The corresponding circular quiver is then characterised by two partitions ρ and $\hat{\rho}$, together with the number of winding D3-branes. The $t \rightarrow 0$ limit that yields the Abelian T-dual solution corresponds to a large number of these winding D3's, which are then identified with the N_{D3} in (A.5). In this approximation the number of D3-branes ending on 5-branes is negligible, and the brane picture depicted in figure 8 arises.⁶

For the sake of transparency, let us finally show that the IIB NS-sector derived in [59] for $k' = 1$ NS5-branes matches our Abelian T-dual solution.⁷ The Einstein frame metric and dilaton in [59] are

$$ds_{\text{IIB}}^2 = R^2 g(y)^{1/4} \left[ds_{AdS_4}^2 + y ds_{S_1^2}^2 + (1-y) ds_{S_2^2}^2 \right] + R^2 g(y)^{-3/4} \left[\frac{4t^2}{\pi^4} dx^2 + dy^2 \right],$$

$$e^{2\phi'} = \frac{k'}{k} \sqrt{\frac{1-y}{y}}, \quad (\text{A.9})$$

⁶Indeed, in this approximation the period $2t$ is simply related to N_{D3} as $N_{D3} = (\pi^2 k k') / (32t^2)$.

⁷Up to a scaling factor and an S-duality transformation, given e.g. in (6.1) of [59] for $c = b = 0$ and $a = d = -1$. Note also that [59] uses a non-standard form of the dilaton, $\phi' \equiv \Phi/2$.

where the AdS_4 space is taken to be of unit radius, $R^4 = \pi^4 k k' / t^2$ and $g(y) = y(1 - y)$. If expressed in string frame by multiplying with $e^{\phi'} = e^{\Phi/2}$ and allowing for the coordinate change

$$y = \sin^2\left(\frac{\mu}{2}\right), \quad x = \frac{1}{4}r, \quad (\text{A.10})$$

the solution in equation (A.1) is reproduced for $k' = 1$, for which $r \in [0, \pi]$. It can also be easily checked that with this coordinate change the RR-sector in (A.2) corresponds to the one of [59], up to a gauge transformation.

A.3 Free energy

Using the results of the previous subsection, we can compute the free energy of the Abelian T-dual solution from W , h_1 and h_2 using expressions (6.1) and (6.2) (see [59]). Taking the differential area of the strip $d^2x = \beta dr d\sigma$ and integrating in $r \in [0, \pi]$, $\sigma \in [-1, 1]$, we find

$$S_{\text{eff}} = \frac{k^2}{3\pi^2\beta^3}, \quad (\text{A.11})$$

and, using the conserved charges in (A.5),

$$S_{\text{eff}} = \frac{\sqrt{2}\pi}{3} \sqrt{k_{D5}} N_{D3}^{3/2}. \quad (\text{A.12})$$

It can easily be checked that this is the free energy of the IIA reduction of the $AdS_4 \times S^7 / \mathbb{Z}_k$ orbifold, with $N_{D2} \rightarrow N_{D3}$ and $k \rightarrow k_{D5}$. It is shown in the main text that it agrees with the free energy of the non-Abelian T-dual solution in the $r \in [n\pi, (n+1)\pi]$ interval and $n \rightarrow \infty$.

B Relating Abelian and non-Abelian T-duality

In the previous appendix we discussed the relationship between the Abelian and non-Abelian T-dual AdS_4 spaces studied in this paper. In this appendix we complete this analysis and elucidate a general relationship between the geometries generated by acting on a round S^3 with Hopf fibre T-duality and $SU(2)$ non-Abelian T-duality.

Consider a type II supergravity solution with global $SO(4)$ isometry and NS sector that can be written as

$$ds^2 = ds^2(\mathcal{M}_7) + 4e^{2C} ds^2(S^3), \quad B = 0, \quad e^\Phi = e^{\Phi_0} \quad (\text{B.1})$$

where x are coordinates on \mathcal{M}_7 only. Non-Abelian T-duality acting on such solutions was considered at length in [18–23]. It will be useful to parametrise the 3-sphere in two different ways, making manifest the two dualisation isometries

$$4ds^2(S_{U(1)}^3) = d\theta^2 + \sin^2\theta d\phi^2 + (d\psi + \cos\theta d\phi)^2, \quad 4ds^2(S_{SU(2)}^3) = (\omega_1^2 + \omega_2^2 + \omega_3^2), \quad (\text{B.2})$$

where ω_i are $SU(2)$ left invariant 1-forms. The first of these is suitable for T-duality on ψ which, following [35], results in the dual NS sector

$$\begin{aligned} ds_{\text{ATD}}^2 &= ds^2(\mathcal{M}_7) + e^{-2C} dr^2 + e^{2C} ds^2(S^2), \\ B_2^{\text{ATD}} &= r \text{Vol}(S^2), \quad e^{-\Phi_{\text{ATD}}} = e^{C-\Phi_0}, \end{aligned} \quad (\text{B.3})$$

where we have performed a gauge transformation on B_2 to put it in this form, and S^2 is the unit norm 2-sphere spanned by θ, ϕ . The second sphere parametrisation is suitable for SU(2) non-Abelian T-duality and leads to the dual NS sector

$$\begin{aligned}
 ds_{\text{NATD}}^2 &= ds^2(\mathcal{M}_7) + e^{-2C} dr^2 + \frac{e^{2C} r^2}{r^2 + e^{4C}} ds^2(S^2), \\
 B_2^{\text{NATD}} &= \frac{r^3}{r^2 + e^{4C}} \text{Vol}(S^2), & e^{-\Phi_{\text{NATD}}} &= \sqrt{r^2 + e^{4C}} e^{C - \Phi_0}.
 \end{aligned}
 \tag{B.4}$$

Comparing eqs (B.3) and (B.4) one finds they obey the relation

$$\lim_{r \rightarrow \infty} ds_{\text{NATD}}^2 = ds_{\text{ATD}}^2, \quad \lim_{r \rightarrow \infty} B_2^{\text{NATD}} = B_2^{\text{ATD}}, \quad \lim_{r \rightarrow \infty} e^{-\Phi_{\text{NATD}}} = r e^{-\Phi_{\text{ATD}}}. \tag{B.5}$$

This has been observed in the previous appendix and before, for instance in [44], but what has not been addressed is whether such a relation holds also for the RR fluxes. We now address this by considering the massive IIA fluxes

$$\begin{aligned}
 F_0 &= m, \\
 F_2 &= G_2, \\
 F_4 &= G_4 + 8G_1 \wedge \text{Vol}(S^3),
 \end{aligned}
 \tag{B.6}$$

however the following statements also hold when transforming from type IIB to IIA. Performing T-duality on the Hopf fibre as before leads to the dual fluxes

$$\begin{aligned}
 F_1^{\text{ATD}} &= -m dr, \\
 F_3^{\text{ATD}} &= -dr \wedge G_2 - G_1 \wedge \text{Vol}(S^2) \\
 F_5^{\text{ATD}} &= -dr \wedge G_4 + e^{3C} \star_7 G_4 \wedge \text{Vol}(S^2)
 \end{aligned}
 \tag{B.7}$$

while performing non-Abelian T-duality on the whole S^3 leads to

$$\begin{aligned}
 F_1^{\text{NATD}} &= -G_1 - m r dr, \\
 F_3^{\text{NATD}} &= e^{3C} \star_7 G_4 - r dr \wedge G_2 - \frac{r^3}{r^2 + e^{4C}} G_1 \wedge \text{Vol}(S^2) + \frac{m r^2 e^{4C}}{r^2 + e^{4C}} dr \wedge \text{Vol}(S^2) \\
 F_5^{\text{NATD}} &= -r dr \wedge G_4 + \frac{r^2 e^{4C}}{r^2 + e^{4C}} dr \wedge G_2 \wedge \text{Vol}(S^2) + \frac{r^3 e^{3C}}{r^2 + e^{4C}} \star_7 G_4 \wedge \text{Vol}(S^2) - e^{3C} \star_7 G_2.
 \end{aligned}
 \tag{B.8}$$

Comparing eqs (B.7) and (B.8), one sees that there is indeed a relation between the flux polyforms, namely

$$\partial_r \left(\lim_{r \rightarrow \infty} F^{\text{NATD}} \right) = F^{\text{ATD}}, \tag{B.9}$$

which $e^{-\Phi_{\text{NATD}}}$ clearly also obeys. Notice that we can dispense with the derivative by weighting the flux polyform by the dilaton, namely

$$\lim_{r \rightarrow \infty} e^{\Phi_{\text{NATD}}} F^{\text{NATD}} = e^{\Phi_{\text{ATD}}} F^{\text{ATD}}. \tag{B.10}$$

That this holds is actually not so surprising. As shown in [17, 68], under T-duality the fluxes transform in the combination $e^\Phi F$. Specifically the fluxes and MW Killing spinors are transformed by the same matrix Ω as

$$\begin{aligned}\epsilon_1 &= \epsilon_1^0, \\ \epsilon_2 &= \Omega \epsilon_2^0, \\ e^\Phi F &= e^{\Phi^0} F^0 \Omega^{-1},\end{aligned}\tag{B.11}$$

where 0 hat denotes the seed solution. For SU(2) non-Abelian T-duality performed on a round 3-sphere there exists a frame in which

$$\Omega^{\text{NATD}} = \frac{1}{\sqrt{r^2 + e^{4C}}} (\Gamma_{r12} + r\Gamma_r)\tag{B.12}$$

where the flat directions 1, 2 span $e^{2C} S^2$ in the non-Abelian T-dual. Clearly

$$\lim_{r \rightarrow \infty} \Omega^{\text{NATD}} = \lim_{r \rightarrow \infty} (\Omega^{\text{NATD}})^{-1} = \Gamma_r\tag{B.13}$$

which we recognise as Ω^{ATD} . This means that

$$\lim_{r \rightarrow \infty} e^{\Phi^0} F^0 (\Omega^{\text{NATD}})^{-1} = e^{\Phi^0} F^0 (\Omega^{\text{ATD}})^{-1}\tag{B.14}$$

and so eq (B.10) just reconciles this with the final expression in eq (B.11).

To conclude, we have observed that the Hopf fibre T-dual is related to the non-Abelian T-dual as

$$\lim_{r \rightarrow \infty} \begin{pmatrix} ds^2 \\ B_2 \\ e^\Phi F \\ \epsilon_{1,2} \end{pmatrix}_{\text{NATD}} = \begin{pmatrix} ds^2 \\ B_2 \\ e^\Phi F \\ \epsilon_{1,2} \end{pmatrix}_{\text{ATD}}\tag{B.15}$$

while the dilaton is related as

$$\lim_{r \rightarrow \infty} e^{-\Phi_{\text{NATD}}} = r e^{-\Phi_{\text{ATD}}}.\tag{B.16}$$

As discussed below eq (2.15), it is easy to understand the r appearing in the dilaton at the level of the string frame supergravity actions, where this factor precisely cancels the change in the volume of the T-dual submanifold in the NS sector. In the RR sector, it is the combination $e^\Phi F$ that absorbs the volume change. The $r \rightarrow \infty$ limit of the non-Abelian T-dual thus reproduces the Abelian T-dual.

Open Access. This article is distributed under the terms of the Creative Commons Attribution License ([CC-BY 4.0](https://creativecommons.org/licenses/by/4.0/)), which permits any use, distribution and reproduction in any medium, provided the original author(s) and source are credited.

References

- [1] C. Montonen and D.I. Olive, *Magnetic Monopoles as Gauge Particles?*, *Phys. Lett.* **B 72** (1977) 117 [INSPIRE].
- [2] N. Seiberg and E. Witten, *Electric-magnetic duality, monopole condensation and confinement in $N = 2$ supersymmetric Yang-Mills theory*, *Nucl. Phys.* **B 426** (1994) 19 [Erratum *ibid.* **B 430** (1994) 485] [hep-th/9407087] [INSPIRE].
- [3] N. Seiberg and E. Witten, *Monopoles, duality and chiral symmetry breaking in $N = 2$ supersymmetric QCD*, *Nucl. Phys.* **B 431** (1994) 484 [hep-th/9408099] [INSPIRE].
- [4] N. Seiberg, *Electric-magnetic duality in supersymmetric non-Abelian gauge theories*, *Nucl. Phys.* **B 435** (1995) 129 [hep-th/9411149] [INSPIRE].
- [5] A. Sen, *An Introduction to nonperturbative string theory*, in proceedings of *A Newton Institute Euroconference on Duality and Supersymmetric Theories*, Cambridge, England, April 7–18 1997, D.I. Olive and P.C. West eds., Cambridge University Press, Cambridge U.K. (1999), pp. 297–413 [hep-th/9802051] [INSPIRE].
- [6] N.A. Obers and B. Pioline, *U duality and M-theory*, *Phys. Rept.* **318** (1999) 113 [hep-th/9809039] [INSPIRE].
- [7] J.M. Maldacena, *The Large- N limit of superconformal field theories and supergravity*, *Int. J. Theor. Phys.* **38** (1999) 1113 [*Adv. Theor. Math. Phys.* **2** (1998) 231] [hep-th/9711200] [INSPIRE].
- [8] S.S. Gubser, I.R. Klebanov and A.M. Polyakov, *Gauge theory correlators from noncritical string theory*, *Phys. Lett.* **B 428** (1998) 105 [hep-th/9802109] [INSPIRE].
- [9] E. Witten, *Anti-de Sitter space and holography*, *Adv. Theor. Math. Phys.* **2** (1998) 253 [hep-th/9802150] [INSPIRE].
- [10] H.A. Kramers and G.H. Wannier, *Statistics of the two-dimensional ferromagnet. Part I*, *Phys. Rev.* **60** (1941) 252 [INSPIRE].
- [11] S.R. Coleman, *The Quantum sine-Gordon Equation as the Massive Thirring Model*, *Phys. Rev.* **D 11** (1975) 2088 [INSPIRE].
- [12] S. Mandelstam, *Soliton Operators for the Quantized sine-Gordon Equation*, *Phys. Rev.* **D 11** (1975) 3026 [INSPIRE].
- [13] T.H. Buscher, *Path Integral Derivation of Quantum Duality in Nonlinear σ -models*, *Phys. Lett.* **B 201** (1988) 466 [INSPIRE].
- [14] T.H. Buscher, *A Symmetry of the String Background Field Equations*, *Phys. Lett.* **B 194** (1987) 59 [INSPIRE].
- [15] M. Roček and E.P. Verlinde, *Duality, quotients and currents*, *Nucl. Phys.* **B 373** (1992) 630 [hep-th/9110053] [INSPIRE].
- [16] X.C. de la Ossa and F. Quevedo, *Duality symmetries from non-Abelian isometries in string theory*, *Nucl. Phys.* **B 403** (1993) 377 [hep-th/9210021] [INSPIRE].
- [17] K. Sfetsos and D.C. Thompson, *On non-abelian T-dual geometries with Ramond fluxes*, *Nucl. Phys.* **B 846** (2011) 21 [arXiv:1012.1320] [INSPIRE].
- [18] Y. Lozano, E. Ó Colgáin, K. Sfetsos and D.C. Thompson, *Non-abelian T-duality, Ramond Fields and Coset Geometries*, *JHEP* **06** (2011) 106 [arXiv:1104.5196] [INSPIRE].

- [19] G. Itsios, Y. Lozano, E. Ó Colgáin and K. Sfetsos, *Non-Abelian T-duality and consistent truncations in type-II supergravity*, *JHEP* **08** (2012) 132 [[arXiv:1205.2274](#)] [[INSPIRE](#)].
- [20] G. Itsios, C. Núñez, K. Sfetsos and D.C. Thompson, *Non-Abelian T-duality and the AdS/CFT correspondence: new $N = 1$ backgrounds*, *Nucl. Phys. B* **873** (2013) 1 [[arXiv:1301.6755](#)] [[INSPIRE](#)].
- [21] Y. Lozano, E. Ó Colgáin, D. Rodríguez-Gómez and K. Sfetsos, *Supersymmetric AdS₆ via T Duality*, *Phys. Rev. Lett.* **110** (2013) 231601 [[arXiv:1212.1043](#)] [[INSPIRE](#)].
- [22] G. Itsios, C. Núñez, K. Sfetsos and D.C. Thompson, *On Non-Abelian T-duality and new $N = 1$ backgrounds*, *Phys. Lett. B* **721** (2013) 342 [[arXiv:1212.4840](#)] [[INSPIRE](#)].
- [23] J. Jeong, O. Kelekci and E. Ó Colgáin, *An alternative IIB embedding of F(4) gauged supergravity*, *JHEP* **05** (2013) 079 [[arXiv:1302.2105](#)] [[INSPIRE](#)].
- [24] G. Itsios, Y. Lozano, E. Ó Colgáin and K. Sfetsos, *Non-Abelian T-duality and consistent truncations in type-II supergravity*, *JHEP* **08** (2012) 132 [[arXiv:1205.2274](#)] [[INSPIRE](#)].
- [25] A. Barranco, J. Gaillard, N.T. Macpherson, C. Núñez and D.C. Thompson, *G-structures and Flavouring non-Abelian T-duality*, *JHEP* **08** (2013) 018 [[arXiv:1305.7229](#)] [[INSPIRE](#)].
- [26] N.T. Macpherson, *Non-Abelian T-duality, G₂-structure rotation and holographic duals of $N = 1$ Chern-Simons theories*, *JHEP* **11** (2013) 137 [[arXiv:1310.1609](#)] [[INSPIRE](#)].
- [27] Y. Lozano, E. Ó Colgáin and D. Rodríguez-Gómez, *Hints of 5d Fixed Point Theories from Non-Abelian T-duality*, *JHEP* **05** (2014) 009 [[arXiv:1311.4842](#)] [[INSPIRE](#)].
- [28] J. Gaillard, N.T. Macpherson, C. Núñez and D.C. Thompson, *Dualising the Baryonic Branch: Dynamic SU(2) and confining backgrounds in IIA*, *Nucl. Phys. B* **884** (2014) 696 [[arXiv:1312.4945](#)] [[INSPIRE](#)].
- [29] D. Elander, A.F. Faedo, C. Hoyos, D. Mateos and M. Piai, *Multiscale confining dynamics from holographic RG flows*, *JHEP* **05** (2014) 003 [[arXiv:1312.7160](#)] [[INSPIRE](#)].
- [30] S. Zacarías, *Semiclassical strings and Non-Abelian T-duality*, *Phys. Lett. B* **737** (2014) 90 [[arXiv:1401.7618](#)] [[INSPIRE](#)].
- [31] E. Caceres, N.T. Macpherson and C. Núñez, *New Type IIB Backgrounds and Aspects of Their Field Theory Duals*, *JHEP* **08** (2014) 107 [[arXiv:1402.3294](#)] [[INSPIRE](#)].
- [32] P.M. Pradhan, *Oscillating Strings and Non-Abelian T-dual Klebanov-Witten Background*, *Phys. Rev. D* **90** (2014) 046003 [[arXiv:1406.2152](#)] [[INSPIRE](#)].
- [33] K. Sfetsos and D.C. Thompson, *New $\mathcal{N} = 1$ supersymmetric AdS₅ backgrounds in Type IIA supergravity*, *JHEP* **11** (2014) 006 [[arXiv:1408.6545](#)] [[INSPIRE](#)].
- [34] Y. Lozano and N.T. Macpherson, *A new AdS₄/CFT₃ dual with extended SUSY and a spectral flow*, *JHEP* **11** (2014) 115 [[arXiv:1408.0912](#)] [[INSPIRE](#)].
- [35] Ö. Kelekci, Y. Lozano, N.T. Macpherson and E. Ó Colgáin, *Supersymmetry and non-Abelian T-duality in type-II supergravity*, *Class. Quant. Grav.* **32** (2015) 035014 [[arXiv:1409.7406](#)] [[INSPIRE](#)].
- [36] N.T. Macpherson, C. Núñez, L.A. Pando Zayas, V.G.J. Rodgers and C.A. Whiting, *Type IIB supergravity solutions with AdS₅ from Abelian and non-Abelian T dualities*, *JHEP* **02** (2015) 040 [[arXiv:1410.2650](#)] [[INSPIRE](#)].
- [37] K.S. Kooner and S. Zacarías, *Non-Abelian T-Dualizing the Resolved Conifold with Regular and Fractional D3-branes*, *JHEP* **08** (2015) 143 [[arXiv:1411.7433](#)] [[INSPIRE](#)].

- [38] T.R. Araujo and H. Nastase, $\mathcal{N} = 1$ SUSY backgrounds with an AdS factor from non-Abelian T duality, *Phys. Rev. D* **91** (2015) 126015 [[arXiv:1503.00553](#)] [[INSPIRE](#)].
- [39] Y. Lozano, N.T. Macpherson, J. Montero and E. Ó Colgáin, New $AdS_3 \times S^2$ T-duals with $\mathcal{N} = (0, 4)$ supersymmetry, *JHEP* **08** (2015) 121 [[arXiv:1507.02659](#)] [[INSPIRE](#)].
- [40] Y. Lozano, N.T. Macpherson and J. Montero, A $\mathcal{N} = 2$ supersymmetric AdS_4 solution in M-theory with purely magnetic flux, *JHEP* **10** (2015) 004 [[arXiv:1507.02660](#)] [[INSPIRE](#)].
- [41] T.R. Araujo and H. Nastase, Non-Abelian T-duality for nonrelativistic holographic duals, *JHEP* **11** (2015) 203 [[arXiv:1508.06568](#)] [[INSPIRE](#)].
- [42] L.A. Pando Zayas, V.G.J. Rodgers and C.A. Whiting, Supergravity solutions with AdS_4 from non-Abelian T-dualities, *JHEP* **02** (2016) 061 [[arXiv:1511.05991](#)] [[INSPIRE](#)].
- [43] N.T. Macpherson, C. Núñez, D.C. Thompson and S. Zacarías, Holographic Flows in non-Abelian T-dual Geometries, *JHEP* **11** (2015) 212 [[arXiv:1509.04286](#)] [[INSPIRE](#)].
- [44] Y. Lozano and C. Núñez, Field theory aspects of non-Abelian T-duality and $\mathcal{N} = 2$ linear quivers, *JHEP* **05** (2016) 107 [[arXiv:1603.04440](#)] [[INSPIRE](#)].
- [45] F. Apruzzi, M. Fazzi, A. Passias, D. Rosa and A. Tomasiello, AdS_6 solutions of type-II supergravity, *JHEP* **11** (2014) 099 [*Erratum ibid.* **05** (2015) 012] [[arXiv:1406.0852](#)] [[INSPIRE](#)].
- [46] H. Kim, N. Kim and M. Suh, Supersymmetric AdS_6 Solutions of Type IIB Supergravity, *Eur. Phys. J. C* **75** (2015) 484 [[arXiv:1506.05480](#)] [[INSPIRE](#)].
- [47] Ö. Kelekci, Y. Lozano, J. Montero, E. Ó Colgáin and M. Park, Large superconformal near-horizons from M-theory, *Phys. Rev. D* **93** (2016) 086010 [[arXiv:1602.02802](#)] [[INSPIRE](#)].
- [48] E. D'Hoker, M. Gutperle, A. Karch and C.F. Uhlemann, Warped $AdS_6 \times S^2$ in Type IIB supergravity I: Local solutions, *JHEP* **08** (2016) 046 [[arXiv:1606.01254](#)] [[INSPIRE](#)].
- [49] C. Couzens, Supersymmetric AdS_5 solutions of type IIB supergravity without D3 branes, [[arXiv:1609.05039](#)] [[INSPIRE](#)].
- [50] E. Alvarez, L. Álvarez-Gaumé, J.L.F. Barbon and Y. Lozano, Some global aspects of duality in string theory, *Nucl. Phys. B* **415** (1994) 71 [[hep-th/9309039](#)] [[INSPIRE](#)].
- [51] E. Alvarez, L. Álvarez-Gaumé and Y. Lozano, On non-Abelian duality, *Nucl. Phys. B* **424** (1994) 155 [[hep-th/9403155](#)] [[INSPIRE](#)].
- [52] Y. Lozano, Non-Abelian duality and canonical transformations, *Phys. Lett. B* **355** (1995) 165 [[hep-th/9503045](#)] [[INSPIRE](#)].
- [53] A. Giveon and M. Roček, On non-Abelian duality, *Nucl. Phys. B* **421** (1994) 173 [[hep-th/9308154](#)] [[INSPIRE](#)].
- [54] S. Elitzur, A. Giveon, E. Rabinovici, A. Schwimmer and G. Veneziano, Remarks on non-Abelian duality, *Nucl. Phys. B* **435** (1995) 147 [[hep-th/9409011](#)] [[INSPIRE](#)].
- [55] C. Klimčík and P. Ševera, Dual non-Abelian duality and the Drinfeld double, *Phys. Lett. B* **351** (1995) 455 [[hep-th/9502122](#)] [[INSPIRE](#)].
- [56] D. Gaiotto and A. Tomasiello, Holography for $(1, 0)$ theories in six dimensions, *JHEP* **12** (2014) 003 [[arXiv:1404.0711](#)] [[INSPIRE](#)].
- [57] S. Cremonesi and A. Tomasiello, 6d holographic anomaly match as a continuum limit, *JHEP* **05** (2016) 031 [[arXiv:1512.02225](#)] [[INSPIRE](#)].

- [58] B. Assel, C. Bachas, J. Estes and J. Gomis, *Holographic Duals of $D = 3$ $\mathcal{N} = 4$ Superconformal Field Theories*, *JHEP* **08** (2011) 087 [[arXiv:1106.4253](#)] [[INSPIRE](#)].
- [59] B. Assel, C. Bachas, J. Estes and J. Gomis, *IIB Duals of $D = 3$ $\mathcal{N} = 4$ Circular Quivers*, *JHEP* **12** (2012) 044 [[arXiv:1210.2590](#)] [[INSPIRE](#)].
- [60] O. Aharony, L. Berdichevsky, M. Berkooz and I. Shamir, *Near-horizon solutions for $D3$ -branes ending on 5-branes*, *Phys. Rev. D* **84** (2011) 126003 [[arXiv:1106.1870](#)] [[INSPIRE](#)].
- [61] E. D'Hoker, J. Estes and M. Gutperle, *Exact half-BPS Type IIB interface solutions. II. Flux solutions and multi-Janus*, *JHEP* **06** (2007) 022 [[arXiv:0705.0024](#)] [[INSPIRE](#)].
- [62] E. D'Hoker, J. Estes and M. Gutperle, *Exact half-BPS Type IIB interface solutions. I. Local solution and supersymmetric Janus*, *JHEP* **06** (2007) 021 [[arXiv:0705.0022](#)] [[INSPIRE](#)].
- [63] D. Gaiotto and E. Witten, *S -duality of Boundary Conditions In $N = 4$ Super Yang-Mills Theory*, *Adv. Theor. Math. Phys.* **13** (2009) 721 [[arXiv:0807.3720](#)] [[INSPIRE](#)].
- [64] A. Hanany and E. Witten, *Type IIB superstrings, BPS monopoles and three-dimensional gauge dynamics*, *Nucl. Phys. B* **492** (1997) 152 [[hep-th/9611230](#)] [[INSPIRE](#)].
- [65] D. Gaiotto and J.M. Maldacena, *The Gravity duals of $N = 2$ superconformal field theories*, *JHEP* **10** (2012) 189 [[arXiv:0904.4466](#)] [[INSPIRE](#)].
- [66] R.A. Reid-Edwards and B. Stefański Jr., *On Type IIA geometries dual to $N = 2$ SCFTs*, *Nucl. Phys. B* **849** (2011) 549 [[arXiv:1011.0216](#)] [[INSPIRE](#)].
- [67] O. Aharony, L. Berdichevsky and M. Berkooz, *4d $N = 2$ superconformal linear quivers with type IIA duals*, *JHEP* **08** (2012) 131 [[arXiv:1206.5916](#)] [[INSPIRE](#)].
- [68] S.F. Hassan, *T duality, space-time spinors and RR fields in curved backgrounds*, *Nucl. Phys. B* **568** (2000) 145 [[hep-th/9907152](#)] [[INSPIRE](#)].
- [69] B. Assel, J. Estes and M. Yamazaki, *Large- N Free Energy of 3d $N = 4$ SCFTs and AdS_4/CFT_3* , *JHEP* **09** (2012) 074 [[arXiv:1206.2920](#)] [[INSPIRE](#)].
- [70] S. Benvenuti and S. Pasquetti, *3D-partition functions on the sphere: exact evaluation and mirror symmetry*, *JHEP* **05** (2012) 099 [[arXiv:1105.2551](#)] [[INSPIRE](#)].
- [71] T. Nishioka, Y. Tachikawa and M. Yamazaki, *3d Partition Function as Overlap of Wavefunctions*, *JHEP* **08** (2011) 003 [[arXiv:1105.4390](#)] [[INSPIRE](#)].
- [72] B. Assel and J. Gomis, *Mirror Symmetry And Loop Operators*, *JHEP* **11** (2015) 055 [[arXiv:1506.01718](#)] [[INSPIRE](#)].
- [73] S. Cremonesi, A. Hanany, N. Mekareeya and A. Zaffaroni, *$T_p^\sigma(G)$ theories and their Hilbert series*, *JHEP* **01** (2015) 150 [[arXiv:1410.1548](#)] [[INSPIRE](#)].
- [74] S. Cremonesi, A. Hanany and A. Zaffaroni, *Monopole operators and Hilbert series of Coulomb branches of 3d $\mathcal{N} = 4$ gauge theories*, *JHEP* **01** (2014) 005 [[arXiv:1309.2657](#)] [[INSPIRE](#)].
- [75] A. Hanany and N. Mekareeya, *Complete Intersection Moduli Spaces in $N = 4$ Gauge Theories in Three Dimensions*, *JHEP* **01** (2012) 079 [[arXiv:1110.6203](#)] [[INSPIRE](#)].
- [76] B. Hoare and A.A. Tseytlin, *Homogeneous Yang-Baxter deformations as non-abelian duals of the AdS_5 σ -model*, [arXiv:1609.02550](#) [[INSPIRE](#)].